

REMCO™

THE PUMP EXPERTS

PRODUCT CATALOG

2024





PROFESSIONAL GRADE PUMP PRODUCTS

At Remco Industries, we take pride in our mission to provide each of our customers with Professional Grade products. Remco has been engineering pumps for over 30 years. We guarantee that our pumps will give you the best experience possible.

PROFESSIONAL GRADE COMMITMENT

Reliability, quality, and performance all contribute to making our products Professional Grade. Our wide range of electric driven diaphragm pumps are designed to withstand and outperform under the more unforgiving conditions. Our engineers are constantly testing and innovating our pumps to ensure they are the best product available for your applications. When you buy Remco, we deliver Professional Grade.

REMCO EXCLUSIVE FEATURES

- 100% Factory tested performance
- World class customer service
- Made in the USA
- Engineering pumps for 30+ years

PRODUCT BRANDS



POWER RV™

SMOOTH FLO™

Economy Plus+

CERTIFICATIONS



SOCIAL MEDIA





2200 SERIES

Pressure Range: 40 PSI
Open Flow Range: 1.0 GPM



3300 SERIES

Pressure Range: 45 - 200 PSI
Open Flow Range: 1.2 - 2.2 GPM



3200 SERIES

Pressure Range: 45 - 100 PSI
Open Flow Range: 3.5 - 4.5 GPM



5500 SERIES

Pressure Range: 60 - 150 PSI
Open Flow Range: 3.2 - 5.3 GPM



FATBOY SERIES

Pressure Range: 60 - 100 PSI
Open Flow Range: 6.25 - 7.0 GPM



ZEUS SERIES

Pressure Range: 60 - 150 PSI
Open Flow Range: 14 GPM

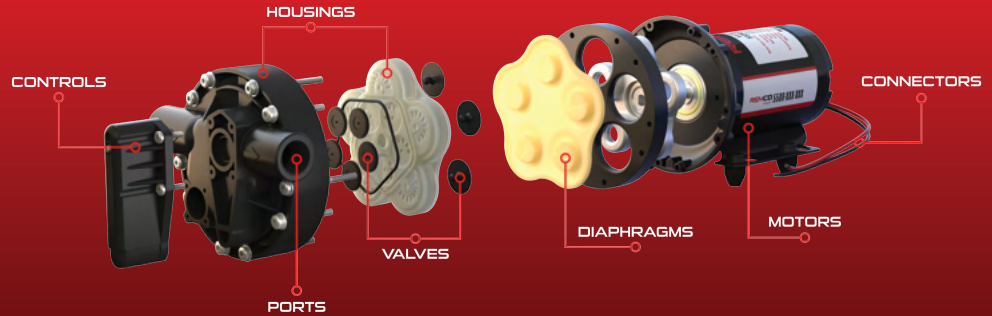


REMCO ACCESSORIES

Professional Grade Parts, Components, and Accessories

CUSTOM PUMPS

Let Remco build the right pump for your system. With our wide range of components and materials, our pump experts can match any OEM performance specification.



REMCO RETAIL MARKET

Our complete line of Professional Grade and PowerRV retail products are the perfect addition to any agriculture or RV section. High quality replacement parts paired with visually appealing packaging makes it easy for customers to understand Remco is the Professional Grade choice.



CUSTOM PUMPS: Let our pump experts design the perfect pump for your specific OEM application.



➤ AVAILABLE FOR ALL PUMP SERIES



DIAPHRAGMS

SANTOPRENE
VITON
GEOLAST
BUNA
HIGH PRIME

HOUSINGS

NYLON
POLYPRO
HIGH FLOW
HIGH PRESSURE

VALVES

SANTOPRENE
VITON
BUNA
EPDM

PORTS

QUICK ATTACH
FNPT
MNPT

MOTORS

SEALED
12 / 24 / 36 VDC
115 / 230 AC
HIGH SPEED / TORQUE
HEAT SINKS
ON / OFF SWITCH
THERMAL PROTECTION

CONTROLS

DEMAND
BYPASS
DUAL CONTROLS
SMART CONTROLS
NO CONTROLS
FLO IQ

CONNECTORS

LEAD WIRES
2-PIN MOLD
CUSTOM LENGTH
METRIPACK
WEATHER PACK
MATE AND LOCK
HEAT SHRINK



AGRICULTURAL & INDUSTRIAL

3300 SERIES

Capable of continuous heavy duty workloads, the 3300 series has built a reputation as a solid and reliable industry performer. The 3300 series delivers consistent Professional Grade results for every job you give it.



PRESSURE RANGE: 45 - 200 PSI

OPEN FLOW RANGE: 1.2 - 2.2 GPM

PUMP OPTIONS

- FLUID PORTS: 3/4" QUICK ATTACH OR 3/8" FNPT
- VOLTAGE: 12 / 24 VDC OR 115 VAC
- MATERIALS: VITON / SANTOPRENE / NYLON / POLY
- DEMAND / BYPASS / DUAL CONTROL / NO CONTROL
- MOTORS: HEAVY DUTY / SEALED / LOW OR HIGH SPEED
- PACKAGING: BULK / SINGLE BOX / RETAIL AVAILABLE
- MANY OTHER OPTIONS AVAILABLE

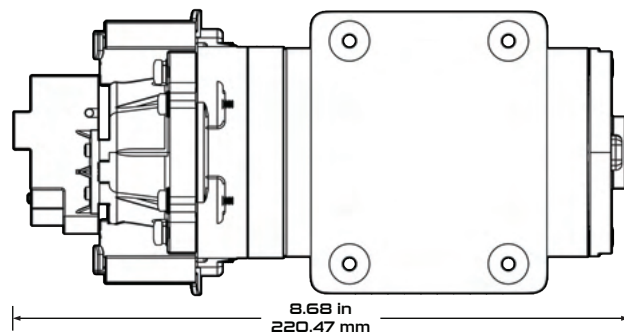
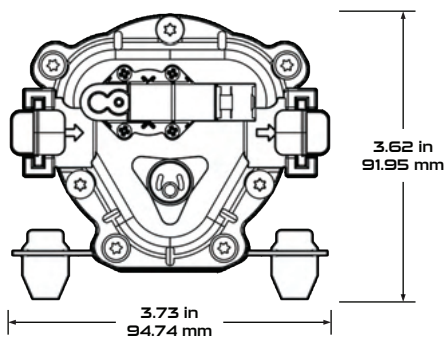
STANDARD FEATURES

- PROFESSIONAL GRADE QUALITY
- MADE IN THE UNITED STATES
- 100% FACTORY TESTED PERFORMANCE
- COMPLETELY SEALED MOTOR
- LOW HEAT AND POWER CONSUMPTION
- SUPERIOR VERTICAL PRIMING

TYPICAL APPLICATIONS

- AUTOMOTIVE FLUID EXCHANGE
- BULK FLUID TRANSFER
- ROAD MAINTENANCE
- AG AND INDUSTRIAL CHEMICAL SPRAYING
- DUST SUPPRESSION

PUMP DIMENSIONS

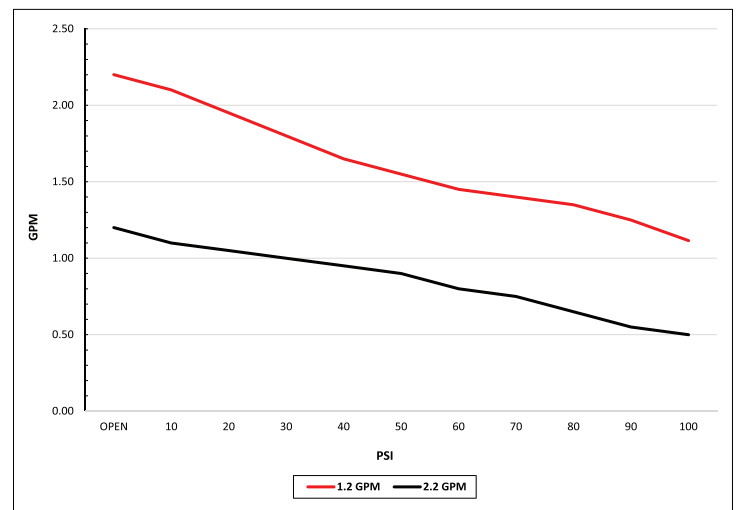


TECHNICAL INFORMATION

- 14 AWG - 6" OR 12" 2-PIN MOLD / CUSTOM CONNECTION
- 8FT (2.4M) PRIMING CAPABILITY
- INTERMITTENT DUTY CYCLE
- DRY RUN CAPABILITY
- 140°F (60°C) MAX LIQUID TEMPERATURE
- 180°F (82°C) MAX MOTOR TEMPERATURE

PUMP PERFORMANCE

(PERFORMANCE MAY VARY)



(DIMENSIONS MAY VARY BY MODEL)

PUMP CONFIGURATIONS

(ADDITIONAL CONFIGURATIONS AVAILABLE)

STANDARD							
Item Number	Flow	Controls	Pressure	Valves	Diaphragm	Ports	Voltage
3311-1E1-82B	1.2 GPM (4.5 LPM)	DEMAND	60 PSI (4.1 BAR)	VITON	SANTOPRENE	3/4" QUICK ATTACH	12 VDC
3311-2E1-82B	1.2 GPM (4.5 LPM)	BYPASS	60 PSI (4.1 BAR)	VITON	SANTOPRENE	3/4" QUICK ATTACH	12 VDC
3313-1E1-82B	2.2 GPM (4.5 LPM)	DEMAND	60 PSI (4.1 BAR)	VITON	SANTOPRENE	3/4" QUICK ATTACH	12 VDC
3313-2E1-82B	2.2 GPM (4.5 LPM)	BYPASS	60 PSI (4.1 BAR)	VITON	SANTOPRENE	3/4" QUICK ATTACH	12 VDC
3321-1E1-82B	1.2 GPM (4.5 LPM)	DEMAND	60 PSI (4.1 BAR)	VITON	SANTOPRENE	3/8" FNPT	12 VDC
3321-2E1-82B	1.2 GPM (4.5 LPM)	BYPASS	60 PSI (4.1 BAR)	VITON	SANTOPRENE	3/8" FNPT	12 VDC
3323-1E1-82B	2.2 GPM (4.5 LPM)	DEMAND	60 PSI (4.1 BAR)	VITON	SANTOPRENE	3/8" FNPT	12 VDC
3323-2E1-82B	2.2 GPM (4.5 LPM)	BYPASS	60 PSI (4.1 BAR)	VITON	SANTOPRENE	3/8" FNPT	12 VDC

24 VDC							
Item Number	Flow	Controls	Pressure	Valves	Diaphragm	Ports	Voltage
3321-1E1-731B	1.2 GPM (4.5 LPM)	DEMAND	60 PSI (4.1 BAR)	VITON	SANTOPRENE	3/8" FNPT	24 VDC
3321-2E1-731B	1.2 GPM (4.5 LPM)	BYPASS	60 PSI (4.1 BAR)	VITON	SANTOPRENE	3/8" FNPT	24 VDC
3323-1E1-731B	2.2 GPM (4.5 LPM)	DEMAND	60 PSI (4.1 BAR)	VITON	SANTOPRENE	3/8" FNPT	24 VDC
3323-2E1-731B	2.2 GPM (4.5 LPM)	BYPASS	60 PSI (4.1 BAR)	VITON	SANTOPRENE	3/8" FNPT	24 VDC

110/120 VAC							
Item Number	Flow	Controls	Pressure	Valves	Diaphragm	Ports	Voltage
3321-1E1-52C	1.2 GPM (4.5 LPM)	DEMAND	60 PSI (4.1 BAR)	VITON	SANTOPRENE	3/8" FNPT	110/120 VAC
3321-2E1-52C	1.2 GPM (4.5 LPM)	BYPASS	60 PSI (4.1 BAR)	VITON	SANTOPRENE	3/8" FNPT	110/120 VAC
3323-1E1-52C	2.2 GPM (4.5 LPM)	DEMAND	60 PSI (4.1 BAR)	VITON	SANTOPRENE	3/8" FNPT	110/120 VAC
3323-2E1-52C	2.2 GPM (4.5 LPM)	BYPASS	60 PSI (4.1 BAR)	VITON	SANTOPRENE	3/8" FNPT	110/120 VAC

HIGH PRESSURE							
Item Number	Flow	Controls	Pressure	Valves	Diaphragm	Ports	Voltage
3313-1I1-63B	2.2 GPM (4.5 LPM)	DEMAND	100 PSI (6.9 BAR)	VITON	SANTOPRENE	3/4" QUICK ATTACH	12 VDC
3313-2I1-63B	2.2 GPM (4.5 LPM)	BYPASS	100 PSI (6.9 BAR)	VITON	SANTOPRENE	3/4" QUICK ATTACH	12 VDC
3323-1I1-63B	2.2 GPM (4.5 LPM)	DEMAND	100 PSI (6.9 BAR)	VITON	SANTOPRENE	3/8" FNPT	12 VDC
3323-2I1-63B	2.2 GPM (4.5 LPM)	BYPASS	100 PSI (6.9 BAR)	VITON	SANTOPRENE	3/8" FNPT	12 VDC

RETAIL OPTIONS							
Item Number	Flow	Controls	Pressure	Valves	Diaphragm	Ports	Voltage
90-3313-1E1-82B-SB	2.2 GPM (4.5 LPM)	DEMAND	60 PSI (4.1 BAR)	VITON	SANTOPRENE	3/4" QUICK ATTACH	12 VDC
90-3323-1E3-82B-SB	2.2 GPM (4.5 LPM)	DEMAND	60 PSI (4.1 BAR)	VITON	GEOLAST	3/8" FNPT	12 VDC
90-3323-1E1-82B-SB	2.2 GPM (4.5 LPM)	DEMAND	60 PSI (4.1 BAR)	VITON	SANTOPRENE	3/8" FNPT	12 VDC

[CONTACT US FOR OUR ENTIRE LIST OF PUMP CONFIGURATIONS](#)

RECOMMENDED PARTS & ACCESSORIES

(ADDITIONAL PARTS & ACCESSORIES AVAILABLE)



3300-PSW



VHA7863-7F77



901-009-R



901-RC01-R



FQ5E-38



FQ5S-38

3200 SERIES

The Remco 3200 Series has proven itself as an industry leader in spraying efficiency. This reliable pump features a compact and low profile design: making the 3200 Series a versatile pump that can perform in all situations.



PRESSURE RANGE: 45 - 100 PSI

OPEN FLOW RANGE: 3.2 - 4.5 GPM

PUMP OPTIONS

- FLUID PORTS: 3/4" QUICK ATTACH
- VOLTAGE: 12 / 24 VDC OR 115 VAC
- MATERIALS: VITON / SANTOPRENE / NYLON / POLY
- CONTROLS: DEMAND / BYPASS
- MOTORS: HEAVY DUTY / SEALED / LOW OR HIGH SPEED
- PACKAGING: BULK / SINGLE BOX / RETAIL AVAILABLE
- MANY OTHER OPTIONS AVAILABLE

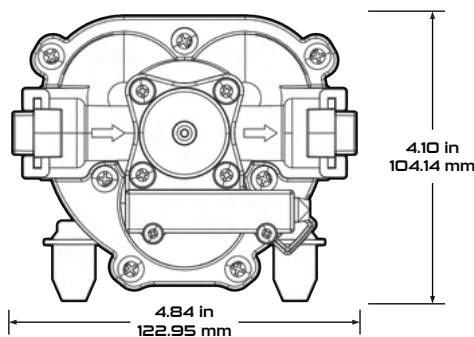
STANDARD FEATURES

- PROFESSIONAL GRADE QUALITY
- ULTRA-EFFICIENT DESIGN
- 100% FACTORY TESTED PERFORMANCE
- COMPLETELY SEALED MOTOR
- LOW HEAT AND POWER CONSUMPTION
- SUPERIOR VERTICAL PRIMING

TYPICAL APPLICATIONS

- AUTOMOTIVE FLUID EXCHANGE
- BULK FLUID TRANSFER
- ROAD MAINTENANCE
- AG AND INDUSTRIAL CHEMICAL SPRAYING
- DUST SUPPRESSION

PUMP DIMENSIONS

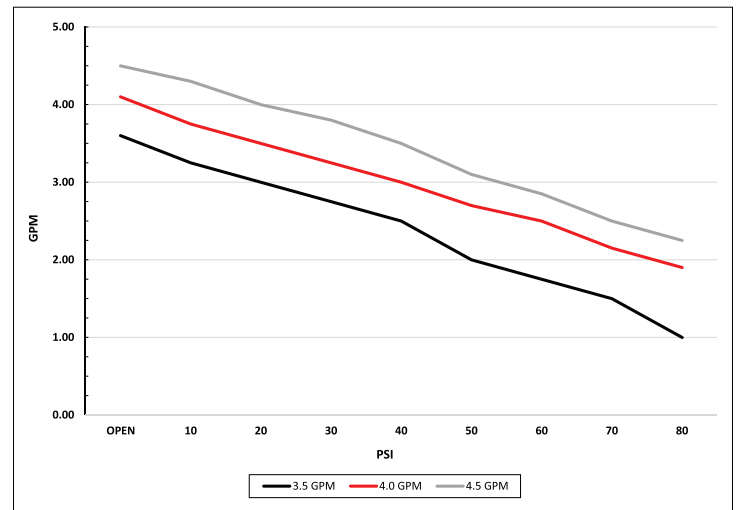


TECHNICAL INFORMATION

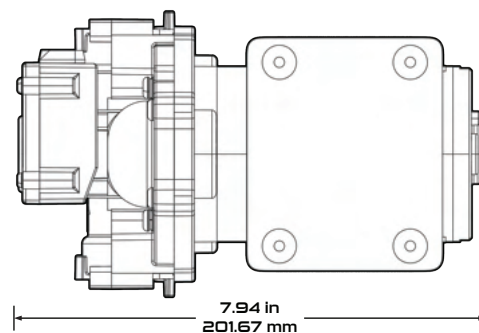
- 14 AWG - 6" OR 12" 2-PIN MOLD / CUSTOM CONNECTION
- 10FT (3.1M) PRIMING CAPABILITY
- INTERMITTENT DUTY CYCLE
- DRY RUN CAPABILITY
- 140°F (60°C) MAX LIQUID TEMPERATURE
- 180°F (82°C) MAX MOTOR TEMPERATURE

PUMP PERFORMANCE

(PERFORMANCE MAY VARY)



(DIMENSIONS MAY VARY BY MODEL)



PUMP CONFIGURATIONS

(ADDITIONAL CONFIGURATIONS AVAILABLE)

STANDARD							
Item Number	Flow	Controls	Pressure	Valves	Diaphragm	Ports	Voltage
3214-1E1-82B	3.5 GPM (13.25 LPM)	DEMAND	60 PSI (4.1 BAR)	VITON	SANTOPRENE	3/4" QUICK ATTACH	12 VDC
3214-2E1-63B	3.5 GPM (13.25 LPM)	BYPASS	60 PSI (4.1 BAR)	VITON	SANTOPRENE	3/4" QUICK ATTACH	12 VDC
3215-1E1-82B	4.0 GPM (15.14 LPM)	DEMAND	60 PSI (4.1 BAR)	VITON	SANTOPRENE	3/4" QUICK ATTACH	12 VDC
3215-2E1-63B	4.0 GPM (15.14 LPM)	BYPASS	60 PSI (4.1 BAR)	VITON	SANTOPRENE	3/4" QUICK ATTACH	12 VDC
3216-1E1-82B	4.5 GPM (17.03 LPM)	DEMAND	60 PSI (4.1 BAR)	VITON	SANTOPRENE	3/4" QUICK ATTACH	12 VDC
3216-2E1-63B	4.5 GPM (17.03 LPM)	BYPASS	60 PSI (4.1 BAR)	VITON	SANTOPRENE	3/4" QUICK ATTACH	12 VDC

24 VDC							
Item Number	Flow	Controls	Pressure	Valves	Diaphragm	Ports	Voltage
3214-1E1-731B	3.5 GPM (13.25 LPM)	DEMAND	60 PSI (4.1 BAR)	VITON	SANTOPRENE	3/4" QUICK ATTACH	24 VDC
3215-1E1-731B	4.0 GPM (15.14 LPM)	DEMAND	60 PSI (4.1 BAR)	VITON	SANTOPRENE	3/4" QUICK ATTACH	24 VDC
3216-1E1-731B	4.5 GPM (17.03 LPM)	DEMAND	60 PSI (4.1 BAR)	VITON	SANTOPRENE	3/4" QUICK ATTACH	24 VDC

110/120 VAC							
Item Number	Flow	Controls	Pressure	Valves	Diaphragm	Ports	Voltage
3214-1E1-52C	3.5 GPM (13.25 LPM)	DEMAND	60 PSI (4.1 BAR)	VITON	SANTOPRENE	3/4" QUICK ATTACH	110/120 VAC
3215-1E1-52C	4.0 GPM (15.14 LPM)	DEMAND	60 PSI (4.1 BAR)	VITON	SANTOPRENE	3/4" QUICK ATTACH	110/120 VAC
3216-1E1-52C	4.5 GPM (17.03 LPM)	DEMAND	60 PSI (4.1 BAR)	VITON	SANTOPRENE	3/4" QUICK ATTACH	110/120 VAC

RETAIL OPTIONS							
Item Number	Flow	Controls	Pressure	Valves	Diaphragm	Ports	Voltage
90-3214-1E1-82B-SB	3.5 GPM (13.25 LPM)	DEMAND	60 PSI (4.1 BAR)	VITON	SANTOPRENE	3/4" QUICK ATTACH	12 VDC
90-3214-1C4-82L-SB	3.2 GPM (12.11 LPM)	DEMAND	45 PSI (3.2 BAR)	EPDM	SANTOPRENE	3/4" QUICK ATTACH	12 VDC

CONTACT US FOR OUR ENTIRE LIST OF PUMP CONFIGURATIONS

RECOMMENDED PARTS & ACCESSORIES

(ADDITIONAL PARTS & ACCESSORIES AVAILABLE)



3202-1F77



901-RC01-R



901-009-R



MF-34F34M



FQ5E-12



FQ5S-12



5500 SERIES

The Remco 5500 Series is unmatched in performance and efficiency. Engineered to withstand the most punishing duty cycles; the Remco 5500 Series pump is a top of the line performer for all of your fluid handling needs.



PRESSURE RANGE: 60 - 150 PSI

OPEN FLOW RANGE: 3.2 - 5.3 GPM

PUMP OPTIONS

- FLUID PORTS: 3/4" QUICK ATTACH OR 1/2" FNPT
- VOLTAGE: 12 / 24 VDC OR 115 VAC
- MATERIALS: VITON / SANTOPRENE / NYLON / POLY
- DEMAND / BYPASS / DUAL CONTROL / NO CONTROL
- MOTORS: HEAVY DUTY / SEALED / LOW OR HIGH SPEED
- PACKAGING: BULK / SINGLE BOX / RETAIL AVAILABLE
- MANY OTHER OPTIONS AVAILABLE

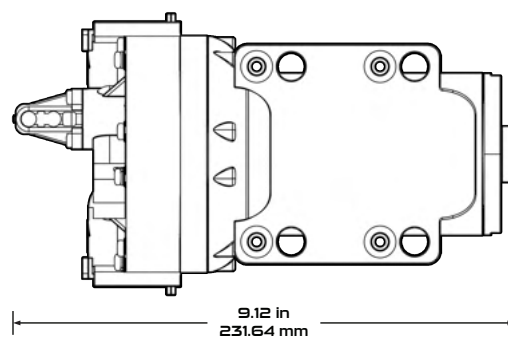
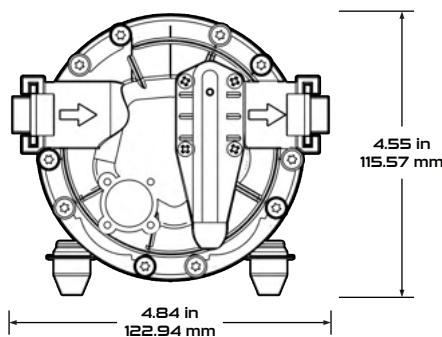
STANDARD FEATURES

- PROFESSIONAL GRADE QUALITY
- MADE IN THE UNITED STATES
- 100% FACTORY TESTED PERFORMANCE
- COMPLETELY SEALED MOTOR
- LOW HEAT AND POWER CONSUMPTION
- SUPERIOR VERTICAL PRIMING

TYPICAL APPLICATIONS

- AUTOMOTIVE FLUID EXCHANGE
- BULK FLUID TRANSFER
- EQUIPMENT WASHDOWN
- AG AND INDUSTRIAL CHEMICAL SPRAYING
- DUST SUPPRESSION
- LIQUID FERTILIZER

PUMP DIMENSIONS

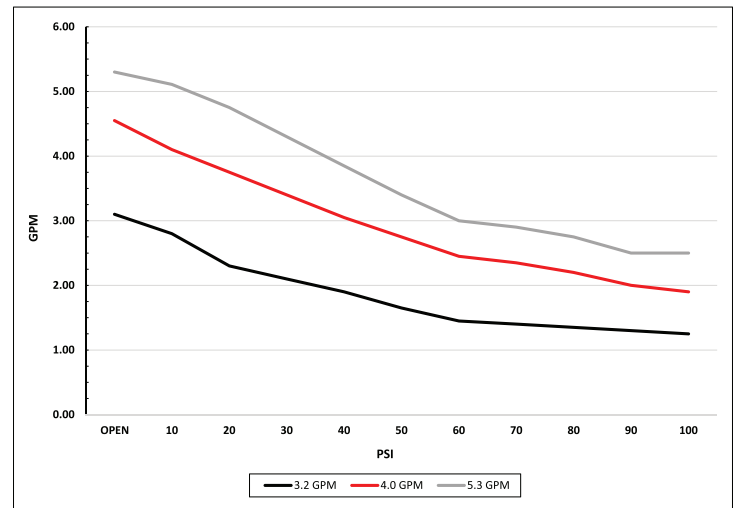


TECHNICAL INFORMATION

- 14 AWG - 6" OR 12" 2-PIN MOLD / CUSTOM CONNECTION
- 14FT (4.0M) PRIMING CAPABILITY
- INTERMITTENT DUTY CYCLE
- DRY RUN CAPABILITY
- 140°F (60°C) MAX LIQUID TEMPERATURE
- 180°F (82°C) MAX MOTOR TEMPERATURE

PUMP PERFORMANCE

(PERFORMANCE MAY VARY)



(DIMENSIONS MAY VARY BY MODEL)

PUMP CONFIGURATIONS

(ADDITIONAL CONFIGURATIONS AVAILABLE)

STANDARD							
Item Number	Flow	Controls	Pressure	Valves	Diaphragm	Ports	Voltage
5514-1E1-82B	3.2 GPM (12.11 LPM)	DEMAND	60 PSI (4.1 BAR)	VITON	SANTOPRENE	3/4" QUICK ATTACH	12 VDC
5514-2E1-63B	3.2 GPM (12.11 LPM)	BYPASS	60 PSI (4.1 BAR)	VITON	SANTOPRENE	3/4" QUICK ATTACH	12 VDC
5534-1E1-82B	3.2 GPM (12.11 LPM)	DEMAND	60 PSI (4.1 BAR)	VITON	SANTOPRENE	1/2" FNPT	12 VDC
5534-2E1-63B	3.2 GPM (12.11 LPM)	BYPASS	60 PSI (4.1 BAR)	VITON	SANTOPRENE	1/2" FNPT	12 VDC
5516-1E1-82B	4.0 GPM (15.14 LPM)	DEMAND	60 PSI (4.1 BAR)	VITON	SANTOPRENE	3/4" QUICK ATTACH	12 VDC
5516-2E1-63B	4.0 GPM (15.14 LPM)	BYPASS	60 PSI (4.1 BAR)	VITON	SANTOPRENE	3/4" QUICK ATTACH	12 VDC
5536-1E1-82B	4.0 GPM (15.14 LPM)	DEMAND	60 PSI (4.1 BAR)	VITON	SANTOPRENE	1/2" FNPT	12 VDC
5536-2E1-63B	4.0 GPM (15.14 LPM)	BYPASS	60 PSI (4.1 BAR)	VITON	SANTOPRENE	1/2" FNPT	12 VDC
5517-1E1-82B	5.3 GPM (20.06 LPM)	DEMAND	60 PSI (4.1 BAR)	VITON	SANTOPRENE	3/4" QUICK ATTACH	12 VDC
5517-2E1-63B	5.3 GPM (20.06 LPM)	BYPASS	60 PSI (4.1 BAR)	VITON	SANTOPRENE	3/4" QUICK ATTACH	12 VDC
5537-1E1-82B	5.3 GPM (20.06 LPM)	DEMAND	60 PSI (4.1 BAR)	VITON	SANTOPRENE	1/2" FNPT	12 VDC
5537-2E1-63B	5.3 GPM (20.06 LPM)	BYPASS	60 PSI (4.1 BAR)	VITON	SANTOPRENE	1/2" FNPT	12 VDC

24 VDC							
Item Number	Flow	Controls	Pressure	Valves	Diaphragm	Ports	Voltage
5534-1E1-731B	3.2 GPM (12.11 LPM)	DEMAND	60 PSI (4.1 BAR)	VITON	SANTOPRENE	1/2" FNPT	24 VDC
5536-1E1-731B	4.0 GPM (15.14 LPM)	DEMAND	60 PSI (4.1 BAR)	VITON	SANTOPRENE	1/2" FNPT	24 VDC
5537-1E1-731B	5.3 GPM (20.06 LPM)	DEMAND	60 PSI (4.1 BAR)	VITON	SANTOPRENE	1/2" FNPT	24 VDC

110/120 VAC							
Item Number	Flow	Controls	Pressure	Valves	Diaphragm	Ports	Voltage
5534-1E1-58C	3.2 GPM (12.11 LPM)	DEMAND	60 PSI (4.1 BAR)	VITON	SANTOPRENE	1/2" FNPT	110/120 VAC
5536-1E1-58C	4.0 GPM (15.14 LPM)	DEMAND	60 PSI (4.1 BAR)	VITON	SANTOPRENE	1/2" FNPT	110/120 VAC
5537-1E1-65C	5.3 GPM (20.06 LPM)	DEMAND	60 PSI (4.1 BAR)	VITON	SANTOPRENE	1/2" FNPT	110/120 VAC

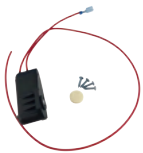
HIGH PRESSURE							
Item Number	Flow	Controls	Pressure	Valves	Diaphragm	Ports	Voltage
5514-111-63B	3.2 GPM (12.11 LPM)	DEMAND	60 PSI (4.1 BAR)	VITON	SANTOPRENE	3/4" QUICK ATTACH	12 VDC
5516-111-63B	4.0 GPM (15.14 LPM)	DEMAND	60 PSI (4.1 BAR)	VITON	SANTOPRENE	3/4" QUICK ATTACH	12 VDC
5517-111-63B	5.3 GPM (20.06 LPM)	DEMAND	60 PSI (4.1 BAR)	VITON	SANTOPRENE	3/4" QUICK ATTACH	12 VDC

RETAIL OPTIONS							
Item Number	Flow	Controls	Pressure	Valves	Diaphragm	Ports	Voltage
90-5517-1E1-82B-SB	5.3 GPM (20.06 LPM)	DEMAND	60 PSI (4.1 BAR)	VITON	SANTOPRENE	3/4" QUICK ATTACH	12 VDC
90-5537-1E1-82B-SB	5.3 GPM (20.06 LPM)	DEMAND	60 PSI (4.1 BAR)	VITON	SANTOPRENE	1/2" FNPT	12 VDC
5537-1E3-82B-B	5.3 GPM (20.06 LPM)	DEMAND	60 PSI (4.1 BAR)	VITON	GEOLAST	1/2" FNPT	12 VDC

CONTACT US FOR OUR ENTIRE LIST OF PUMP CONFIGURATIONS

RECOMMENDED PARTS & ACCESSORIES

(ADDITIONAL PARTS & ACCESSORIES AVAILABLE)



PSW-580R-60



VHA5513-1E77



901-009-R



RM-35C-K



FQ5E-12



FQ5S-12

FATBOY SERIES

The Remco Fatboy Series is the most powerful pump for its size. Demanding industrial environments require precise engineering with high quality components. The Fatboy Series was designed with this in mind.



PRESSURE RANGE: 60 - 100 PSI

OPEN FLOW SETTING: 7.0 GPM

PUMP OPTIONS

- FLUID PORTS: 3/4" QUICK ATTACH OR 1/2" FNPT
- VOLTAGE: 12 / 24 VDC OR 115 VAC
- MATERIALS: VITON / SANTOPRENE / NYLON / POLY
- DEMAND / BYPASS / DUAL CONTROL / NO CONTROL
- MOTORS: HEAVY DUTY / SEALED / LOW OR HIGH SPEED
- PACKAGING: BULK / SINGLE BOX / RETAIL AVAILABLE
- MANY OTHER OPTIONS AVAILABLE

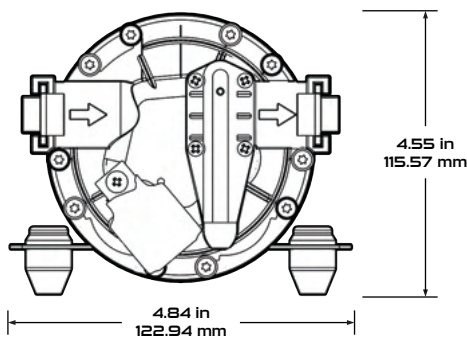
STANDARD FEATURES

- PROFESSIONAL GRADE QUALITY
- MADE IN THE UNITED STATES
- 100% FACTORY TESTED PERFORMANCE
- COMPLETELY SEALED MOTOR
- HIGH PERFORMANCE AT WORKING PRESSURE
- SUPERIOR VERTICAL PRIMING

TYPICAL APPLICATIONS

- LIQUID DEICING
- EQUIPMENT WASHDOWN
- ROAD MAINTENANCE
- AG AND INDUSTRIAL CHEMICAL SPRAYING
- DUST SUPPRESSION

PUMP DIMENSIONS

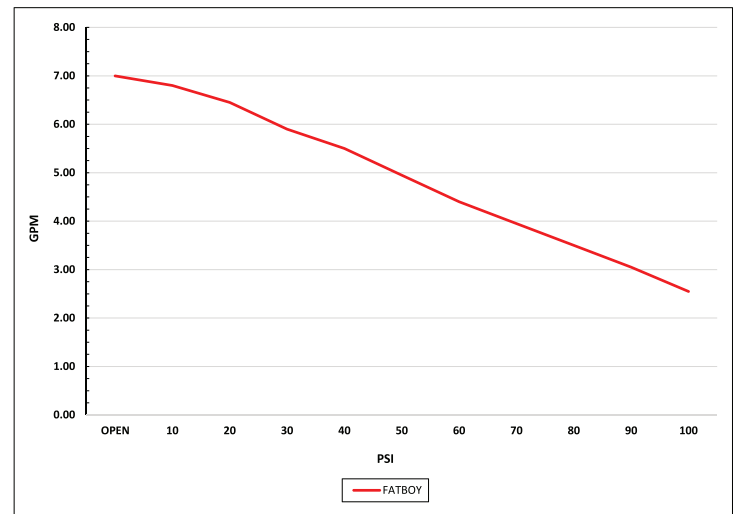


TECHNICAL INFORMATION

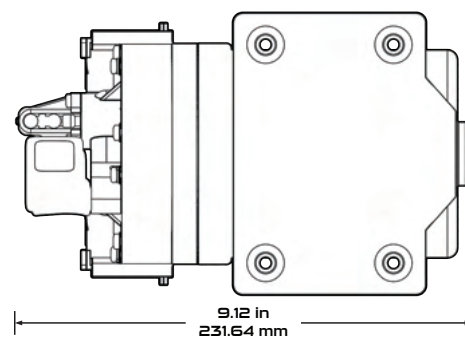
- 12 AWG - 12" LEAD WIRE / CUSTOM CONNECTION
- 14FT (4.0M) PRIMING CAPABILITY
- INTERMITTENT DUTY CYCLE
- DRY RUN CAPABILITY
- 140°F (60°C) MAX LIQUID TEMPERATURE
- 180°F (82°C) MAX MOTOR TEMPERATURE

PUMP PERFORMANCE

(PERFORMANCE MAY VARY)



(DIMENSIONS MAY VARY BY MODEL)



PUMP CONFIGURATIONS

(ADDITIONAL CONFIGURATIONS AVAILABLE)

STANDARD							
Item Number	Flow	Controls	Pressure	Valves	Diaphragm	Ports	Voltage
5518-1E1-94A	7.0 GPM (26.5 LPM)	DEMAND	60 PSI (4.1 BAR)	VITON	SANTOPRENE	3/4" QUICK ATTACH	12 VDC
5518-2E1-94A	7.0 GPM (26.5 LPM)	BYPASS	60 PSI (4.1 BAR)	VITON	SANTOPRENE	3/4" QUICK ATTACH	12 VDC
5538-1E1-94A	7.0 GPM (26.5 LPM)	DEMAND	60 PSI (4.1 BAR)	VITON	SANTOPRENE	1/2" FNPT	12 VDC
5538-2E1-94A	7.0 GPM (26.5 LPM)	BYPASS	60 PSI (4.1 BAR)	VITON	SANTOPRENE	1/2" FNPT	12 VDC

24 VDC							
Item Number	Flow	Controls	Pressure	Valves	Diaphragm	Ports	Voltage
5518-1E1-61A	7.0 GPM (26.5 LPM)	DEMAND	60 PSI (4.1 BAR)	VITON	SANTOPRENE	3/4" QUICK ATTACH	24 VDC
5518-2E1-61A	7.0 GPM (26.5 LPM)	BYPASS	60 PSI (4.1 BAR)	VITON	SANTOPRENE	3/4" QUICK ATTACH	24 VDC
5538-1E1-61A	7.0 GPM (26.5 LPM)	DEMAND	60 PSI (4.1 BAR)	VITON	SANTOPRENE	1/2" FNPT	24 VDC
5538-2E1-61A	7.0 GPM (26.5 LPM)	BYPASS	60 PSI (4.1 BAR)	VITON	SANTOPRENE	1/2" FNPT	24 VDC

110/120 VAC							
Item Number	Flow	Controls	Pressure	Valves	Diaphragm	Ports	Voltage
5518-1E1-69C	7.0 GPM (26.5 LPM)	DEMAND	60 PSI (4.1 BAR)	VITON	SANTOPRENE	3/4" QUICK ATTACH	110/120 VAC
5518-2E1-69C	7.0 GPM (26.5 LPM)	BYPASS	60 PSI (4.1 BAR)	VITON	SANTOPRENE	3/4" QUICK ATTACH	110/120 VAC
5538-1E1-69C	7.0 GPM (26.5 LPM)	DEMAND	60 PSI (4.1 BAR)	VITON	SANTOPRENE	1/2" FNPT	110/120 VAC
5538-2E1-69C	7.0 GPM (26.5 LPM)	BYPASS	60 PSI (4.1 BAR)	VITON	SANTOPRENE	1/2" FNPT	110/120 VAC

HIGH PRESSURE							
Item Number	Flow	Controls	Pressure	Valves	Diaphragm	Ports	Voltage
5518-1I1-94A	7.0 GPM (26.5 LPM)	DEMAND	100 PSI (6.89 BAR)	VITON	SANTOPRENE	3/4" QUICK ATTACH	12 VDC
5518-2I1-94A	7.0 GPM (26.5 LPM)	BYPASS	100 PSI (6.89 BAR)	VITON	SANTOPRENE	3/4" QUICK ATTACH	12 VDC
5538-1I1-94A	7.0 GPM (26.5 LPM)	DEMAND	100 PSI (6.89 BAR)	VITON	SANTOPRENE	1/2" FNPT	12 VDC
5538-2I1-94A	7.0 GPM (26.5 LPM)	BYPASS	100 PSI (6.89 BAR)	VITON	SANTOPRENE	1/2" FNPT	12 VDC

RETAIL OPTIONS							
Item Number	Flow	Controls	Pressure	Valves	Diaphragm	Ports	Voltage
90-5518-1E1-94A-SB	7.0 GPM (26.5 LPM)	DEMAND	60 PSI (4.1 BAR)	VITON	SANTOPRENE	3/4" QUICK ATTACH	12 VDC
90-5538-1E1-94A-SB	7.0 GPM (26.5 LPM)	DEMAND	60 PSI (4.1 BAR)	VITON	SANTOPRENE	1/2" FNPT	12 VDC
5518-1I1-94A-B	7.0 GPM (26.5 LPM)	DEMAND	100 PSI (6.89 BAR)	VITON	SANTOPRENE	3/4" QUICK ATTACH	12 VDC
5538-1I1-94A-B	7.0 GPM (26.5 LPM)	DEMAND	100 PSI (6.89 BAR)	VITON	SANTOPRENE	1/2" FNPT	12 VDC

CONTACT US FOR OUR ENTIRE LIST OF PUMP CONFIGURATIONS

RECOMMENDED PARTS & ACCESSORIES

(ADDITIONAL PARTS & ACCESSORIES AVAILABLE)



PSW-FB-60-R



PH5518E-D



901-013-R



901-RC02-R



FQ5E-34



FQ5S-34



ZEUS BULK TRANSFER PUMP

Zeus is the ultimate bulk transfer pump for AG and Industrial use. Capable of running long duty cycles and materials compatible with virtually all common chemicals make Zeus the Professional Grade option for bulk transfer.

OPEN FLOW RATE: UP TO 14 GPM

- > SELF-PRIMING DIAPHRAGM PUMP WITH BYPASS
- > 50 AMP FUSE PROTECTED MOTOR FOR HEAT AND SAFETY
- > 1+ HOUR DUTY CYCLE DURING TRANSFER
- > 1" FNPT PORTS FOR EASY CONNECTION
- > INTEGRATED ON/OFF SWITCH
- > REPLACEMENT PUMP HEADS AVAILABLE
- > 2 YEAR LIMITED WARRANTY INCLUDED

TECHNICAL INFORMATION

CHECK VALVE	INTERNAL; EPA 165.45 COMPLIANT
VERTICAL SUCTION LIFT	SELF-PRIMING UP TO 14FT (4.25M)
MOTOR	1-2 HP: 375W
AMPS	12 VDC: 40 AMPS 115 VAC: 5 AMPS
PORTS	1" FNPT INLET/OUTLET
WETTED MATERIALS	POLYPROPYLENE, SANTOPRENE, VITON

TRANSFER PUMP KIT CONTENTS

- > PUMP MOUNTING BRACKET
- > ADAPTER 1" MALE NPT x 1" HOSE BARB
- > ELBOW 1" MALE NPT x 1" HOSE BARB
- > CAM LOCK (D) 2" FEMALE COUPLER x 2" FEMALE NPT
- > BALL VALVE FULL PORT 1" FEMALE NPT
- > NIPPLE 1" MALE NPT x 1" MALE NPT
- > NOZZLE 45 DEGREE 1" MALE NPT
- > 1" HOSE CLAMPS
- > SNAP-PINS
- > 5' OF 1" SUCTION HOSE
- > 12' OF 1" DISCHARGE HOSE



BULK TRANSFER PUMP CONFIGURATIONS

ZT-9500	12 VDC, PUMP ONLY 18' WITH BATTERY CLIPS AND 50 AMP FUSE	ZTK-9500	12 VDC, TRANSFER KIT
ZT-9515	115 VAC, PUMP ONLY 6' CORD 3 PRONG PLUG	ZTK-9515	115 VAC, TRANSFER KIT





ZEUS DEF PUMP

Zeus is a game changer for transferring DEF. Zeus is fully compliant with the ISO22241-3 standard for handling of DEF. A high flow rate paired with an efficient motor design bring Professional Grade into the DEF market.

OPEN FLOW RATE: UP TO 14 GPM

- > SELF-PRIMING DIAPHRAGM PUMP WITH BYPASS
- > 50 AMP FUSE PROTECTED MOTOR FOR HEAT AND SAFETY
- > 1+ HOUR DUTY CYCLE DURING TRANSFER
- > 1" FNPT PORTS FOR EASY CONNECTION
- > INTEGRATED ON/OFF SWITCH
- > REPLACEMENT PUMP HEADS AVAILABLE
- > 2 YEAR LIMITED WARRANTY INCLUDED

TECHNICAL INFORMATION

CHECK VALVE	INTERNAL; EPA 165.45 COMPLIANT
VERTICAL SUCTION LIFT	SELF-PRIMING UP TO 14FT (4.25M)
MOTOR	1-2 HP: 375W
AMPS	12 VDC: 40 AMPS 115 VAC: 5 AMPS
PORTS	1" FNPT INLET/OUTLET
WETTED MATERIALS	POLYPROPYLENE, SANTOPRENE, VITON

TRANSFER PUMP KIT CONTENTS

- > PUMP MOUNTING BRACKET
- > ADAPTER 1" MALE NPT x 1" HOSE BARB
- > ELBOW 1" MALE NPT x 1" HOSE BARB
- > CAM LOCK (D) 2" FEMALE COUPLER x 2" FEMALE NPT
- > BALL VALVE FULL PORT 1" FEMALE NPT
- > NIPPLE 1" MALE NPT x 1" MALE NPT
- > NOZZLE 45 DEGREE 1" MALE NPT
- > 1" HOSE CLAMPS
- > SNAP-PINS
- > 5' OF 1" SUCTION HOSE
- > 12' OF 1" DISCHARGE HOSE



DEF TRANSFER PUMP CONFIGURATIONS

ZDEF-9500	12 VDC, PUMP ONLY 18' WITH BATTERY CLIPS AND 50 AMP FUSE	ZDEFK-9500	12 VDC, TRANSFER KIT
ZDEF-9515	115 VAC, PUMP ONLY 6' CORD 3 PRONG PLUG	ZDEFK-9515	115 VAC, TRANSFER KIT





Zeus is the ultimate electric driven diaphragm pump, taking performance to the next level. Combining its ultra efficient electric motor with state of the art pump head design, Zeus is ready for the most extreme applications. Remco has combined our Professional Grade durability, engineering, and expertise in developing the Zeus pump.



PRESSURE SETTING: 60 PSI

OPEN FLOW RATE: UP TO 14 GPM

PUMP OPTIONS

- 12 VDC, 24 VDC, AND 115 VAC
- BYPASS OR ON DEMAND PRESSURE CONTROL
- BULK AND INDIVIDUAL PACKAGING AVAILABLE
- CONSULT FACTORY FOR CONFIGURATIONS
- 1 YEAR LIMITED WARRANTY

TECHNICAL INFORMATION

- 1" FNPT PORTS
- 10 AWG 12" WIRE LEADS FOR 12/24 VDC 6' CORD AND PLUG FOR 115 VAC
- VERTICAL SELF-PRIMING UP TO 14FT
- 140°F (60°C) MAX LIQUID TEMPERATURE
- 180°F (82°C) MAX MOTOR SHELL TEMPERATURE
- DRY RUN CAPABILITY

STANDARD FEATURES

- 100% FACTORY TESTED PERFORMANCE
- HEAVY DUTY FAN COOLED MOTOR
- STANDARD MOUNTING BASE WITH RUBBER GROMMETS
- ALUMINUM HEATSINK FOR BETTER HEAT DISSIPATION

TYPICAL APPLICATIONS

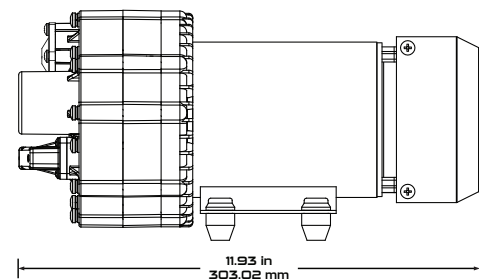
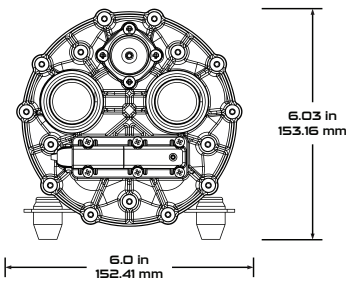
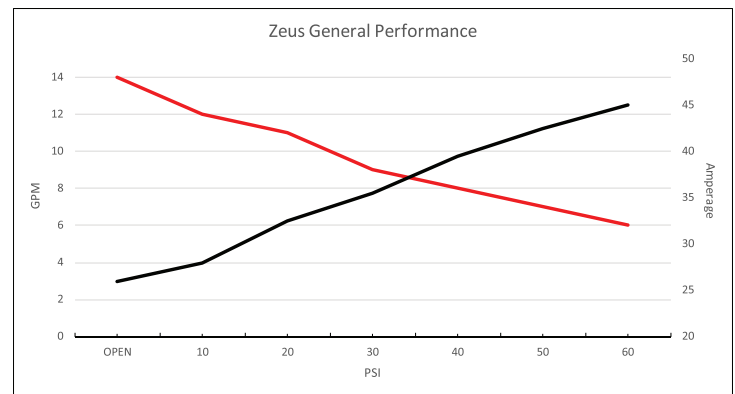
- AG AND INDUSTRIAL SPRAYING (COMPATIBLE WITH MOST COMMON CHEMICALS)
- FERTILIZER APPLICATIONS
- ROAD MAINTENANCE
- WASHDOWN AND DUST SUPPRESSION
- LIQUID DEICING APPLICATIONS

PUMP CONFIGURATIONS

Item Number	Flow	Controls	Pressure	Ports	Voltage
9559-2E5-961	14 GPM (52.9 LPM)	BYPASS	60 PSI (4.1 BAR)	1" FNPT	12 VDC
9559-2E5-971	14 GPM (52.9 LPM)	BYPASS	60 PSI (4.1 BAR)	1" FNPT	24 VDC
9559-1E5-981	14 GPM (52.9 LPM)	DEMAND	60 PSI (4.1 BAR)	1" FNPT	115 VAC
9559-2E5-981	14 GPM (52.9 LPM)	DEMAND	60 PSI (4.1 BAR)	1" FNPT	115 VAC

PUMP PERFORMANCE

(PERFORMANCE MAY VARY)





SMOOTH FLO

Zeus is the evolution the SoftWash industry has been asking for. Higher flow, higher pressure, and higher reach.



**ONE YEAR LIMITED
90 DAY COMMERCIAL WARRANTY**

PRESSURE SETTING: 150 PSI DUAL CONTROL

OPEN FLOW RATE: UP TO 14 GPM - 24 VDC

TECHNICAL INFORMATION

- 1" FNPT PORTS
- 24 VDC - 10 AWG 12" WIRE LEADS
- VERTICAL SELF-PRIMING UP TO 14FT
- 140°F (60°C) MAX LIQUID TEMPERATURE
- 180°F (82°C) MAX MOTOR SHELL TEMPERATURE
- HEAVY DUTY FAN COOLED MOTOR WITH HEATSINK
- 100% FACTORY TESTED PERFORMANCE
- DRY RUN CAPABLE

SPRAY SYSTEM RECOMMENDATIONS

- 3/4" HOSE RECOMMENDED, MINIMUM HOSE SIZE 5/8"
- 250FT MAXIMUM HOSE LENGTH
- SIZE 60 SPRAY TIPS FOR OPERATING PRESSURE OF 100 PSI
- SIZE 40 SPRAY TIPS FOR OPERATING PRESSURE OF 125 PSI
- DO NOT USE TIPS SMALLER THAN SIZE 40
- 50 AMP FUSE RECOMMENDED
- PRESSURE GAUGE TO AID WITH SYSTEM MONITORING

TYPICAL APPLICATIONS

- SOFTWASH APPLICATIONS
- WASHDOWN AND DUST SUPPRESSION
- AG AND INDUSTRIAL SPRAYING (COMPATIBLE WITH MOST COMMON CHEMICALS)

COMMON ACCESSORIES



RACT-820-NPT
PULSATION DAMPENER
ACCUMULATOR



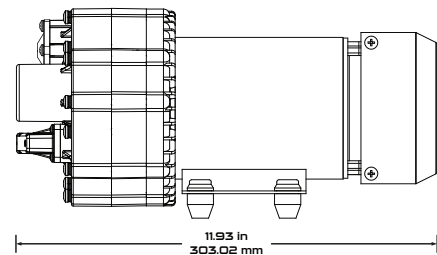
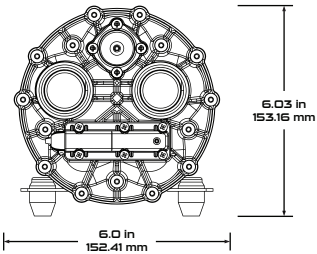
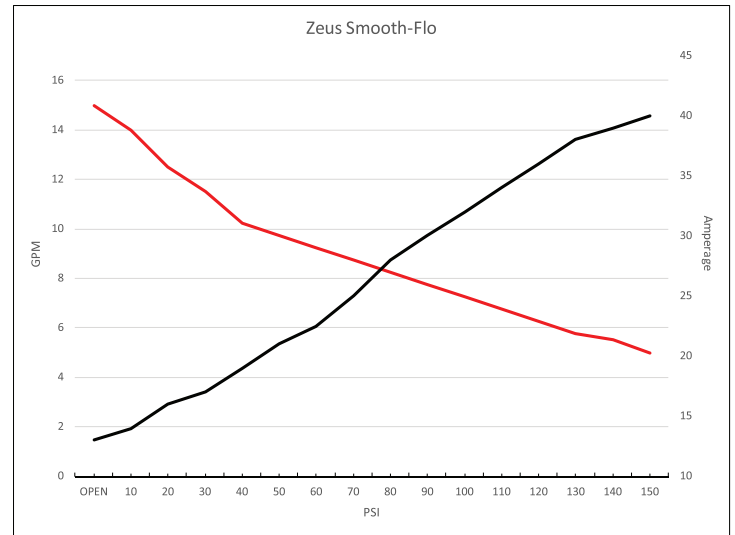
901-RC02-R
24 VDC REMOTE ON/OFF

PUMP CONFIGURATIONS

Item Number	Flow	Controls	Pressure	Ports	Voltage
9559-9K5-971	14 GPM (52.9 LPM)	DUAL	150 PSI (10.3 BAR)	1" FNPT	24 VDC

PUMP PERFORMANCE

(PERFORMANCE MAY VARY)



SMOOTHFLO®

SmoothFlo pumps have revolutionized the performance of diaphragm pumps. Our exclusive FLO-IQ technology will completely eliminate rapid switch cycling. SmoothFlo pumps are the perfect option for any softwash job.

THE ULTIMATE BLEACH & SOFTWASH PUMP

PRESSURE SETTING: 100 PSI

PUMP OPTIONS

- FLUID PORTS: 3/4" QUICK ATTACH
- VOLTAGE: 12 / 24 VDC OR 115 VAC
- MATERIALS: VITON / SANTOPRENE / NYLON / POLY
- DUAL CONTROL / FLO IQ
- MOTORS: HEAVY DUTY / SEALED
- PACKAGING: BULK / SINGLE BOX / RETAIL AVAILABLE
- MANY OTHER OPTIONS AVAILABLE

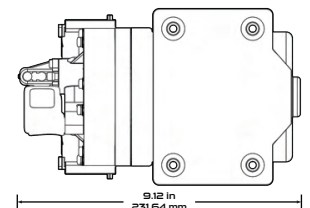
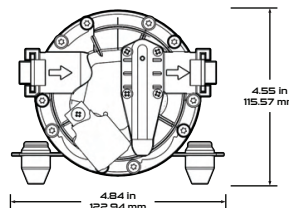
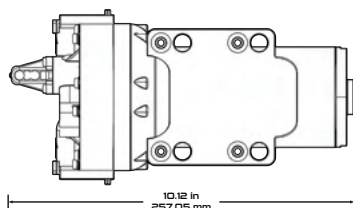
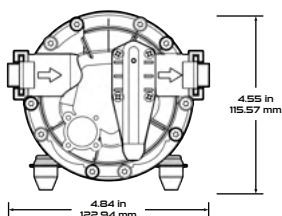
STANDARD FEATURES

- PROFESSIONAL GRADE QUALITY
- MADE IN THE UNITED STATES
- 100% FACTORY TESTED PERFORMANCE
- COMPLETELY SEALED MOTOR
- LOW HEAT AND POWER CONSUMPTION
- SUPERIOR VERTICAL PRIMING

TYPICAL APPLICATIONS

- BLEACH AND SOFTWASH
- CHEMICAL SPRAYING
- BULK FLUID TRANSFER
- WATER TREATMENT
- ALTERNATIVE ENERGY

PUMP DIMENSIONS



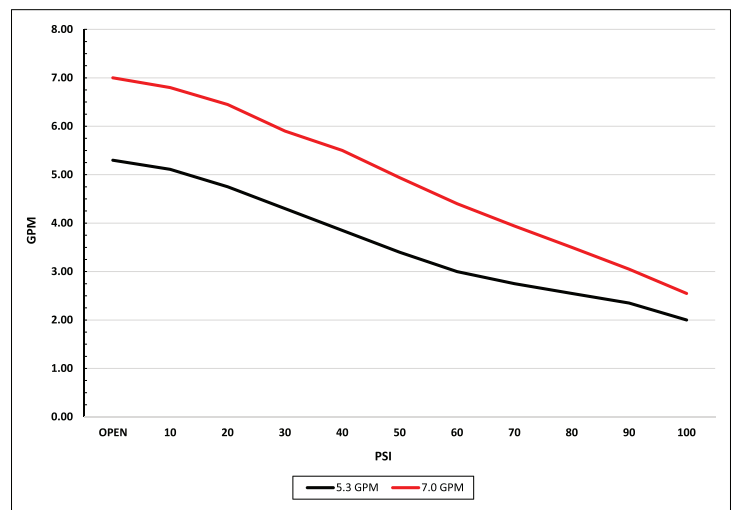
OPEN FLOW RANGE: 5.3 - 7.0 GPM

TECHNICAL INFORMATION

- 14 AWG - 12" STRIPPED WIRE / CUSTOM CONNECTION
- 14FT (4.0M) PRIMING CAPABILITY
- FLO-IQ PRESSURE CONTROL
- DRY RUN CAPABILITY
- 140°F (60°C) MAX LIQUID TEMPERATURE
- 180°F (82°C) MAX MOTOR TEMPERATURE

PUMP PERFORMANCE

(PERFORMANCE MAY VARY)



(DIMENSIONS MAY VARY BY MODEL)

PUMP CONFIGURATIONS

(ADDITIONAL CONFIGURATIONS AVAILABLE)

STANDARD							
Item Number	Flow	Controls	Pressure	Valves	Diaphragm	Ports	Voltage
5917-911-63B	5.3 GPM (20.06 LPM)	FLO-IQ	100 PSI (6.89 BAR)	VITON	SANTOPRENE	3/4" QUICK ATTACH	12 VDC
5918-911-94A	7.0 GPM (26.5 LPM)	FLO-IQ	100 PSI (6.89 BAR)	VITON	SANTOPRENE	3/4" QUICK ATTACH	12 VDC

24 VDC							
Item Number	Flow	Controls	Pressure	Valves	Diaphragm	Ports	Voltage
5917-911-731B-B	5.3 GPM (20.06 LPM)	FLO-IQ	100 PSI (6.89 BAR)	VITON	SANTOPRENE	3/4" QUICK ATTACH	24 VDC
5917-911-731B	5.3 GPM (20.06 LPM)	FLO-IQ	100 PSI (6.89 BAR)	VITON	SANTOPRENE	3/4" QUICK ATTACH	24 VDC
5918-911-61A-B	7.0 GPM (26.5 LPM)	FLO-IQ	100 PSI (6.89 BAR)	VITON	SANTOPRENE	3/4" QUICK ATTACH	24 VDC
5918-911-61A	7.0 GPM (26.5 LPM)	FLO-IQ	100 PSI (6.89 BAR)	VITON	SANTOPRENE	3/4" QUICK ATTACH	24 VDC

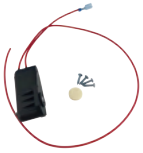
110/120 VAC							
Item Number	Flow	Controls	Pressure	Valves	Diaphragm	Ports	Voltage
5917-911-65C-B	5.3 GPM (20.06 LPM)	FLO-IQ	100 PSI (6.89 BAR)	VITON	SANTOPRENE	3/4" QUICK ATTACH	110/120 VAC
5917-911-65C	5.3 GPM (20.06 LPM)	FLO-IQ	100 PSI (6.89 BAR)	VITON	SANTOPRENE	3/4" QUICK ATTACH	110/120 VAC
5918-911-69A-B	7.0 GPM (26.5 LPM)	FLO-IQ	100 PSI (6.89 BAR)	VITON	SANTOPRENE	3/4" QUICK ATTACH	110/120 VAC
5918-911-69A	7.0 GPM (26.5 LPM)	FLO-IQ	100 PSI (6.89 BAR)	VITON	SANTOPRENE	3/4" QUICK ATTACH	110/120 VAC

RETAIL OPTIONS							
Item Number	Flow	Controls	Pressure	Valves	Diaphragm	Ports	Voltage
90-5917-911-63B-SB	5.3 GPM (20.06 LPM)	FLO-IQ	100 PSI (6.89 BAR)	VITON	SANTOPRENE	3/4" QUICK ATTACH	12 VDC
90-5918-911-94A-SB	7.0 GPM (26.5 LPM)	FLO-IQ	100 PSI (6.89 BAR)	VITON	SANTOPRENE	1/2" FNPT	12 VDC

CONTACT US FOR OUR ENTIRE LIST OF PUMP CONFIGURATIONS

RECOMMENDED PARTS & ACCESSORIES

(ADDITIONAL PARTS & ACCESSORIES AVAILABLE)



PSW-5100R-80



PSW-FB-80-R



901-013-R



RACT-820-NTP



901-RC02-R



FQ55-34



2200 SERIES

Don't let the compact design of the Remco Economy Plus 2200 Series diminish the fact that it is hardened and prepared for extreme conditions. This pump proves that big things come in small packages.

Economy Plus+



PRESSURE RANGE: 40 PSI

OPEN FLOW RANGE: 1.0 GPM

PUMP OPTIONS

- FLUID PORTS: 3/8" HOSE BARB
- VOLTAGE: 12 / 24 VDC
- MATERIALS: VITON / SANTOPRENE / POLY
- PACKAGING: BULK / RETAIL AVAILABLE
- INTEGRATED ON/OFF SWITCH AVAILABLE

STANDARD FEATURES

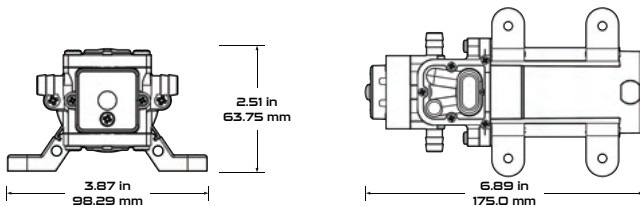
- PROFESSIONAL GRADE QUALITY
- COMPACT AND EFFICIENT DESIGN
- LOW HEAT AND POWER CONSUMPTION
- QUIET OPERATION

TYPICAL APPLICATIONS

- AG AND INDUSTRIAL CHEMICAL SPRAYING
- AUTOMOTIVE FLUID EXCHANGE
- FOOD AND BEVERAGE SERVICE
- ICE REMOVAL

PUMP DIMENSIONS

(DIMENSIONS MAY VARY BY MODEL)

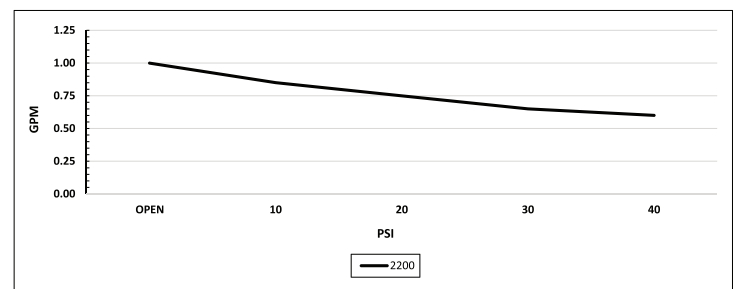


TECHNICAL INFORMATION

- 18 AWG - 6" 2-PIN MOLD / CUSTOM CONNECTION
- 4FT (1.2M) PRIMING CAPABILITY
- INTERMITTENT DUTY CYCLE
- DRY RUN CAPABILITY
- 140°F (60°C) MAX LIQUID TEMPERATURE
- 180°F (82°C) MAX MOTOR TEMPERATURE

PUMP PERFORMANCE

(PERFORMANCE MAY VARY)



RECOMMENDED PARTS & ACCESSORIES



901-009-R

PUMP CONFIGURATIONS

(ADDITIONAL CONFIGURATIONS AVAILABLE)

STANDARD							
Item Number	Flow	Controls	Pressure	Valves	Diaphragm	Ports	Voltage
2240-1B1-10E	1.0 GPM (3.78 LPM)	DEMAND	40 PSI (2.8 BAR)	SANTOPRENE	SANTOPRENE	3/8" HOSE BARB	12 VDC
2240-1B1-20E	1.0 GPM (3.78 LPM)	DEMAND	40 PSI (2.8 BAR)	SANTOPRENE	SANTOPRENE	3/8" HOSE BARB	24 VDC
2240-1B1-10I	1.0 GPM (3.78 LPM)	DEMAND	40 PSI (2.8 BAR)	SANTOPRENE	SANTOPRENE	3/8" HOSE BARB	12 VDC (ON/OFF SWITCH)

RETAIL OPTIONS							
Item Number	Flow	Controls	Pressure	Valves	Diaphragm	Ports	Voltage
2240-1B1-10E-SB	1.0 GPM (3.78 LPM)	DEMAND	40 PSI (2.8 BAR)	SANTOPRENE	SANTOPRENE	3/8" HOSE BARB	12 VDC



RV & FRESH WATER

3200 SERIES

This direct OEM replacement pump features high quality components and amazing performance; making the Remco 3200 RV Series a price performance leader. This compact pump is the perfect addition to your RV fresh water system.



PRESSURE SETTING: 45 PSI

OPEN FLOW SETTING: 3.2 GPM

STANDARD FEATURES

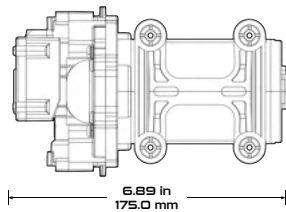
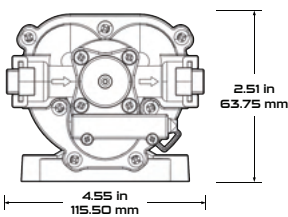
- DIRECT OEM REPLACEMENT FOR MOST RV'S
- PROFESSIONAL GRADE QUALITY
- 100% FACTORY TESTED PERFORMANCE
- VIRTUALLY SILENT OPERATION
- NOISE DAMPENING RUBBER BASE
- VOLTAGE OPTIONS AVAILABLE
- THERMAL PROTECTION
- PACKAGING: BULK / SINGLE BOX / RETAIL AVAILABLE

TYPICAL APPLICATIONS

- FRESH WATER APPLICATIONS ONLY
- RV AND COACH WATER SYSTEMS
- GENERAL INDUSTRIAL USE
- ALTERNATIVE ENERGY

PUMP DIMENSIONS

(DIMENSIONS MAY VARY BY MODEL)



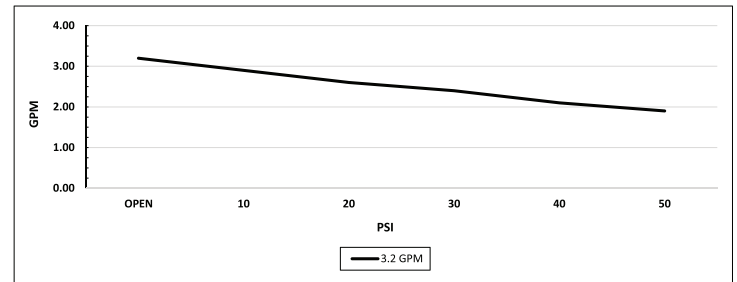
PUMP CONFIGURATIONS

STANDARD							
Item Number	Flow	Controls	Pressure	Valves	Diaphragm	Ports	Voltage
3214-1C4-82L	3.2 GPM (12.11 LPM)	DEMAND	45 PSI (3.1 BAR)	EPDM	SANTOPRENE	3/4" QUICK ATTACH	12 VDC
24 VDC							
Item Number	Flow	Controls	Pressure	Valves	Diaphragm	Ports	Voltage
3214-1C4-731A	3.2 GPM (12.11 LPM)	DEMAND	45 PSI (3.1 BAR)	EPDM	SANTOPRENE	3/4" QUICK ATTACH	24 VDC
110/120 VAC							
Item Number	Flow	Controls	Pressure	Valves	Diaphragm	Ports	Voltage
3214-1C4-52C	3.2 GPM (12.11 LPM)	DEMAND	45 PSI (3.1 BAR)	EPDM	SANTOPRENE	3/4" QUICK ATTACH	110/120 VAC
RETAIL OPTIONS							
Item Number	Flow	Controls	Pressure	Valves	Diaphragm	Ports	Voltage
90-3214-1C4-82L-SB	3.2 GPM (12.11 LPM)	DEMAND	45 PSI (3.1 BAR)	EPDM	SANTOPRENE	3/4" QUICK ATTACH	12 VDC

TECHNICAL INFORMATION

- 18 AWG - 7" STRIPPED LEADS
- 10FT (3M) PRIMING CAPABILITY
- 3/4" QUICK ATTACH PORTS
- 140°F (60°C) MAX LIQUID TEMPERATURE
- 180°F (82°C) MAX MOTOR TEMPERATURE

PUMP PERFORMANCE



RECOMMENDED PARTS & ACCESSORIES



QTS-556



MF-34F34M

REBEL SERIES

Engineered to withstand the most rigorous and punishing duty cycles; the PowerRV Rebel Series is a top of the line performer. This pump is built using the highest quality components; delivering an all new level of performance.



PRESSURE SETTING: 60 PSI

OPEN FLOW RANGE: 3.2 - 5.3 GPM

STANDARD FEATURES

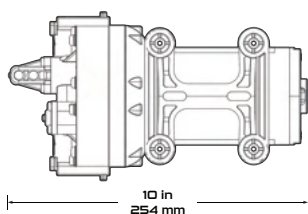
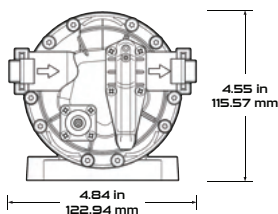
- PROFESSIONAL GRADE QUALITY
- 100% FACTORY TESTED PERFORMANCE
- VIRTUALLY SILENT OPERATION
- NOISE DAMPENING RUBBER BASE
- LOW AMPERAGE DRAW
- VOLTAGE OPTIONS
- THERMAL PROTECTION
- RETAIL OR BULK PACKAGING
- DUAL PRESSURE CONTROL DAMPENS SWITCH CYCLES

TYPICAL APPLICATIONS

- FRESH WATER APPLICATIONS ONLY
- RV AND COACH WATER SYSTEMS
- GENERAL INDUSTRIAL USE
- ALTERNATIVE ENERGY
- OFF-GRID WATER SUPPLY

PUMP DIMENSIONS

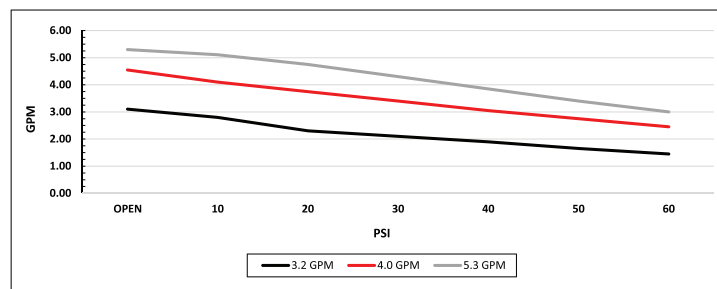
(DIMENSIONS MAY VARY BY MODEL)



TECHNICAL INFORMATION

- 18 AWG - 7" STRIPPED LEADS
- 10FT (3M) PRIMING CAPABILITY
- 3/4" QUICK ATTACH PORTS
- 140°F (60°C) MAX LIQUID TEMPERATURE
- 180°F (82°C) MAX MOTOR TEMPERATURE

PUMP PERFORMANCE



RECOMMENDED PARTS & ACCESSORIES



QTS-556



R-309TB53-R

PUMP CONFIGURATIONS

(ADDITIONAL CONFIGURATIONS AVAILABLE)

STANDARD

Item Number	Flow	Controls	Pressure	Valves	Diaphragm	Ports	Voltage
53REBEL-JRV	3.2 GPM (12.11 LPM)	DUAL	60 PSI (4.1 BAR)	EPDM	SANTOPRENE	3/4" QUICK ATTACH	12 VDC
54REBEL-JRV	4.0 GPM (15.14 LPM)	DUAL	60 PSI (4.1 BAR)	EPDM	SANTOPRENE	3/4" QUICK ATTACH	12 VDC
55REBEL-JRV	5.3 GPM (20.06 LPM)	DUAL	60 PSI (4.1 BAR)	EPDM	SANTOPRENE	3/4" QUICK ATTACH	12 VDC

115 VAC

Item Number	Flow	Controls	Pressure	Valves	Diaphragm	Ports	Voltage
55REBEL-65C	5.3 GPM (20.06 LPM)	DUAL	60 PSI (4.1 BAR)	EPDM	SANTOPRENE	3/4" QUICK ATTACH	115 VAC

AQUAJET SERIES - VARIABLE SPEED

With years of field proven reliability, patented **variable speed** technology, and five chamber design; the PowerRV Aquajet Series has earned the reputation as the most advanced RV water system pump on the market.



“JUST LIKE HOME” WATER SUPPLY

PRESSURE SETTING: 65 PSI

OPEN FLOW RANGE: 3.4 - 5.3 GPM

STANDARD FEATURES

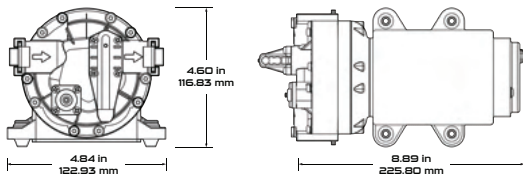
- PROFESSIONAL GRADE QUALITY
- 100% FACTORY TESTED PERFORMANCE
- VIRTUALLY SILENT OPERATION
- VARIABLE SPEED TECHNOLOGY
- LOW VOLTAGE PROTECTION
- VOLTAGE OPTIONS
- THERMAL PROTECTION
- 3/4" QUICK ATTACH PORTS
- RETAIL OR BULK PACKAGING

TYPICAL APPLICATIONS

- FRESH WATER APPLICATIONS ONLY
- RV AND COACH WATER SYSTEMS
- GENERAL INDUSTRIAL USE
- ALTERNATIVE ENERGY

PUMP DIMENSIONS

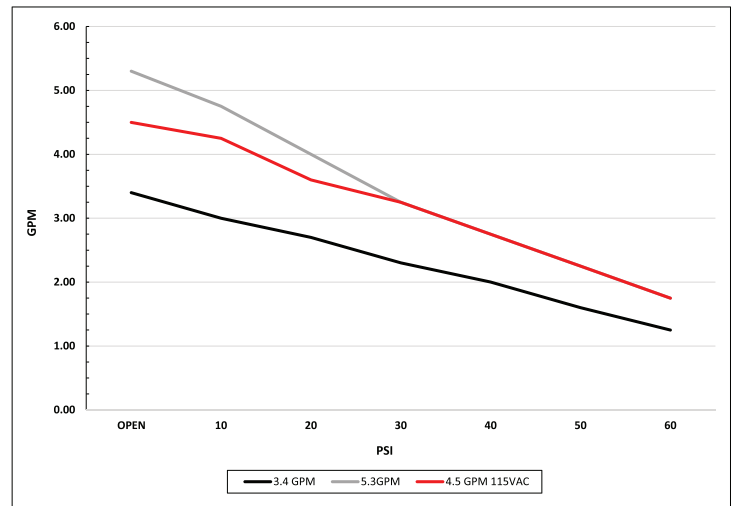
(DIMENSIONS MAY VARY BY MODEL)



TECHNICAL INFORMATION

- 14 AWG - 7" STRIPPED LEADS WITH FUSE
- 14FT (4.3M) PRIMING CAPABILITY
- VARIABLE SPEED SMART CONTROLLER
- 140°F (60°C) MAX LIQUID TEMPERATURE
- 180°F (82°C) MAX MOTOR TEMPERATURE

PUMP PERFORMANCE



PUMP CONFIGURATIONS

(ADDITIONAL CONFIGURATIONS AVAILABLE)

12 VDC

Item Number	Flow	Controls	Pressure	Valves	Diaphragm	Ports	Voltage
55AQUAJET-AES	3.4 GPM (12.9 LPM)	VARIABLE SPEED	65 PSI (4.5 BAR)	EPDM	SANTOPRENE	3/4" QUICK ATTACH	12 VDC
55AQUAJET-ARV	5.3 GPM (20.06 LPM)	VARIABLE SPEED	65 PSI (4.5 BAR)	EPDM	SANTOPRENE	3/4" QUICK ATTACH	12 VDC

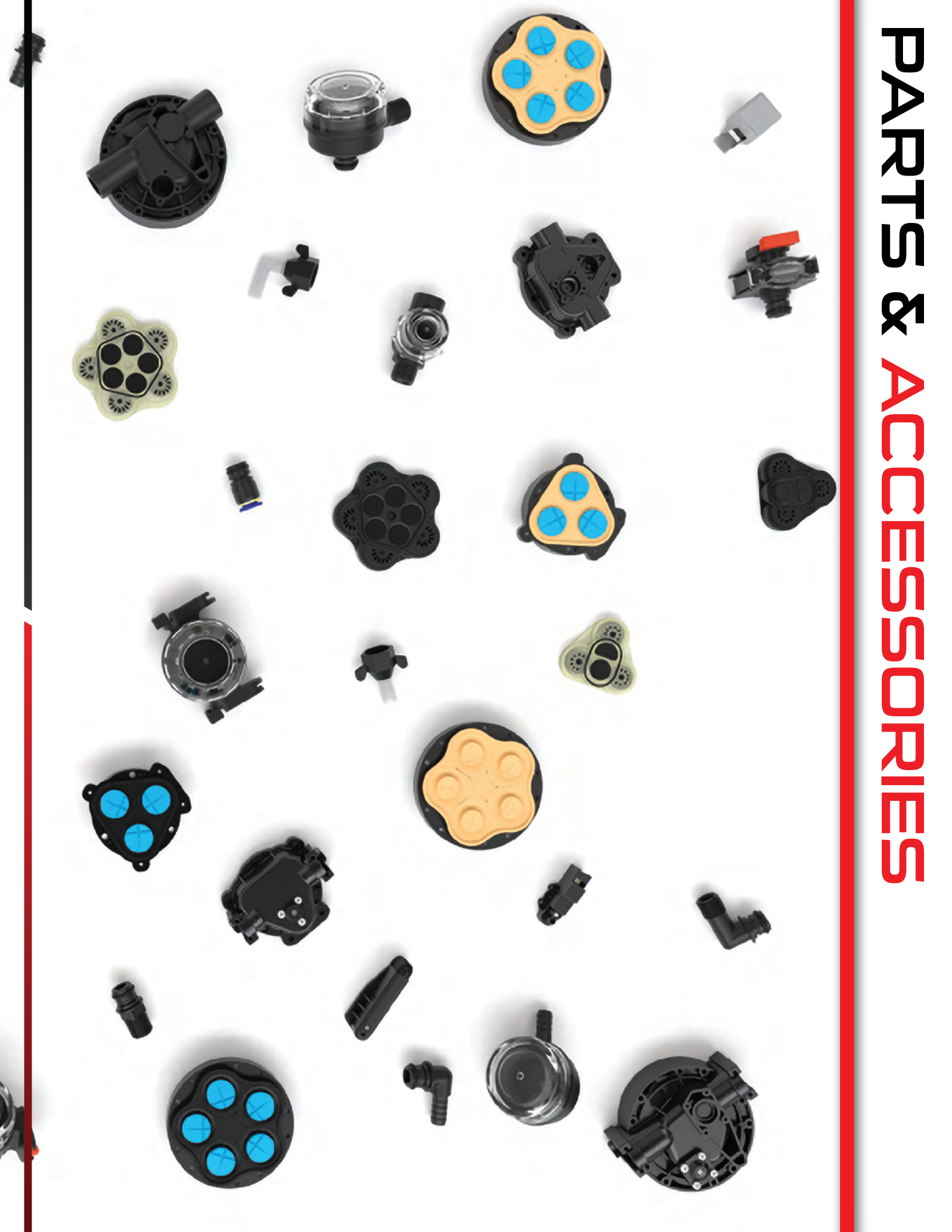
24 VDC

Item Number	Flow	Controls	Pressure	Valves	Diaphragm	Ports	Voltage
55AQUAJET-AES24	3.4 GPM (12.9 LPM)	VARIABLE SPEED	65 PSI (4.5 BAR)	EPDM	SANTOPRENE	3/4" QUICK ATTACH	24 VDC
55AQUAJET-ARV24	5.3 GPM (20.06 LPM)	VARIABLE SPEED	65 PSI (4.5 BAR)	EPDM	SANTOPRENE	3/4" QUICK ATTACH	24 VDC

110 / 120 VAC

Item Number	Flow	Controls	Pressure	Valves	Diaphragm	Ports	Voltage
55AQUAJET-WVS45-115	4.5 GPM (17.03 LPM)	VARIABLE SPEED	65 PSI (4.5 BAR)	EPDM	SANTOPRENE	3/4" QUICK ATTACH	115 VAC

PARTS & ACCESSORIES



ACCUMULATOR TANK

Our food grade pressurized fluid holding tank/pulsation dampener can be installed in a demand driven fluid system to reduce pulsations, smooth out flow, and extend pump life.



PRODUCT FEATURES

- > PROFESSIONAL GRADE
- > 100% FACTORY TESTED PERFORMANCE
- > COMPACT AND EFFICIENT DESIGN
- > PORT OPTIONS AVAILABLE
- > EXTENDED PUMP LIFE

TYPICAL APPLICATIONS

- > FRESH WATER APPLICATIONS
- > DAMPEN PUMP PULSATION
- > CHEMICAL SPRAYING
- > NOISE REDUCTION



PUMP CONFIGURATIONS

(ADDITIONAL CONFIGURATIONS AVAILABLE)

STANDARD				
Item Number	Ports	Dimensions	Total Volume	Max PSI
RACT-820-NPT	1/2" MALE NPT	8.92" x 4.8" x 4.13"	27 OZ (820 ML)	125 PSI
RACT-820-JG	3/8" JOHN GUEST	8.92" x 4.8" x 4.13"	27 OZ (820 ML)	125 PSI

UNIVERSAL MANIFOLD KIT

Field serviceability is simple with our Universal Manifold Kit; the perfect addition to Remco's 3200, 3300, and 5500 series pumps. Complete with all necessary installation hardware.

PRODUCT FEATURES

- > CHEMICAL RESISTANT
- > QUICK ATTACH PORTS
- > MULTIPLE PLUMBING CONFIGURATIONS
- > SUPERIOR ENGINEERED BALL VALVES
- > 1/4" NPT GAUGE PORT
- > 1/2" NPT AUXILLARY PORTS

PACKAGE CONTENTS

- > 1 - MANIFOLD WITH TWO MOUNTING LEG OPTIONS
- > 2 - 3/8" FITTINGS (1 ELBOW, 1 STRAIGHT)
- > 2 - 1/2" FITTINGS (1 ELBOW, 1 STRAIGHT)
- > 1 - MOUNTING PLATE
- > 4 - PUMP MOUNTING SCREWS
- > 2 - PLATE MONTING SCREWS



CONFIGURATIONS

(ADDITIONAL CONFIGURATIONS AVAILABLE)

STANDARD		
Item Number	Description	UPC Number
RM-35C-K	QUICK ATTACH MANIFOLD - 3/4" PORTS, 2 BALL VALVES, 1/2" GAUGE PORT, 1/2" AUXILLARY PORT	810042230385

POWER PRO BATTERY SYSTEM

Transform your 12 volt sprayer pump with the Remco PowerPro system. This 20 volt lithium-ion battery pack provides wireless power to your sprayer system.

PACKAGE CONTENTS

- > 1 - POWER PRO™ BATTERY PACK
- > 1 - POWER PRO™ CONTROL UNIT
- > 1 - POWER PRO™ BATTERY CHARGER
- > 1 - POWER PRO™ REMOTE
- > 1 - HARDWARE PACK
- > 1 - INSTALLATION MANUAL

PRODUCT FEATURES

- > WIRELESS PUMP POWER PACK (60FT RANGE)
- > 13.5 VDC OUPUT FOR HIGH PERFORMANCE
- > 30-90 MINUTES OF PRESSURE ON A SINGLE CHARGE
- > FULL CHARGE IN LESS THAN 4 HOURS
- > POWER INDICATION LIGHT
- > ADVANCED SAFETY FEATURES
- > COMPATIBLE WITH 12V PROFESSIONAL GRADE PUMPS (AND MOST OTHER PUMP BRANDS)



PUMP CONFIGURATIONS

(ADDITIONAL CONFIGURATIONS AVAILABLE)

STANDARD		
Item Number	Description	UPC Number
RBP-2005-RS	POWER PRO 20 VOLT COMPLETE BATTERY SYSTEM	810042231276
RBP-2005-BP	POWER PRO, 20 VOLT BATTERY ONLY	810042231467

WIRELESS PUMP CONTROLLER

A convenient remote control accessory designed to work with the complete line of Remco Professional Grade diaphragm pumps.

PRODUCT FEATURES

- > SEALED FROM DUST, MOISTURE, AND OTHER DEBRIS
- > HEAVY DUTY 12 AWG WIRE
- > REMOTE CONTROL DISTANCE UP TO 75FT
- > STANDARD SAE 2-PIN CONNECTOR
- > LED POWER INDICATION LIGHT

TECHNICAL INFORMATION

- > 12/24 VDC
- > 40 AMP MAX
- > 12 VDC
- > 20 AMP MAX



PUMP CONFIGURATIONS

(ADDITIONAL CONFIGURATIONS AVAILABLE)

STANDARD		
Item Number	Description	UPC Number
901-RC01-R	REMOTE CONTROL - 12 VDC, REMOTE ON/OFF SWITCH, 20 AMP, 2-PIN, REMOTE/LANYARD INCLUDED	810042232761
901-RC02-R	REMOTE CONTROL - 12/24 VDC, REMOTE ON/OFF SWITCH, 40 AMP, 2-PIN, REMOTE/LANYARD INCLUDED	810042232778

RATE CONTROLLER

The Remco Rate Controller is an unmatched fit for variable volume fertilizer applications. Our Rate Controllers provide smooth and reliable operation across a wide range of speeds; making this product the perfect compliment to our line of Professional Grade diaphragm pumps.

Our Rate Controllers are available with a digital pressure display which allows the user to keep harmful pressurized chemicals from entering the tractor cab. An optional auxilliary stainless steel ammonia pressure gauge with or without a plumbing kit is also available.

Remco Rate Controllers are available in a 35 AMP rating and also come equipped with fuses for added protection.



VOLTAGE: 12 VDC AMPERAGE: 35 AMP

COMPATIBLE FLOW RANGE: 1.0 - 7.0 GPM

PRODUCT FEATURES

- HEAVY DUTY SEALED WIRE CONNECTIONS
- 12 VDC WITH 35 AMP RATING
- DIGITAL PRESSURE DISPLAY
- REVERSE POLARITY PROTECTION
- FUSE PROTECTION
- AUXILLIARY PRESSURE GAUGE KIT AVAILABLE
- DIGITAL PRESSURE DISPLAY
- LIMIT/IMPLEMENT SWITCH CONNECTION
- MANUAL RHEOSTAT SIZED FOR USE WITH ALL PROFESSIONAL GRADE PUMPS

PARTS AND ACCESSORIES



WHK-10RB-20GW



WHK-20DPS



DPS-100

PRODUCT CONFIGURATIONS

(ADDITIONAL CONFIGURATIONS AVAILABLE)

RATE CONTROLLER

Item Number	Description
RRC35-NG	RATE CONTROLLER, NO GAUGE, 35 AMP
RRC35-DD	RATE CONTROLLER DIGITAL DISPLAY, 35 AMP, PRESSURE SENSOR AND CABLE INCLUDED

RATE CONTROLLER KITS

Item Number	Description
RRC35-NGK	NO GAUGE, 35 AMP, WITH WIRING KITS
RRC35-60GK	WITH GAUGE, 35 AMP, WITH WIRING KITS
RRC35-DDK	DIGITAL DISPLAY, 35 AMP, PRESSURE SWITCH AND CABLE INCLUDED, WITH WIRING KIT

PARTS AND ACCESSORIES

Item Number	Description
WHK-10RB-20GW	INPUT/OUTPUT WIRING SET (INCLUDES: 10FT, BRED/BLACK POWER IN, 20FT WHITE/GREEN OUTPUT)
WHK-20GW-EXT	20FT, OUTPUT EXTENSION CABLE, WITH WHITE/GREEN OUTPUT
WHK-20DPS	REPLACEMENT 20FT DIGITAL PRESSURE SENSOR CABLE
WHK-15DPS-EXT	15FT DIGITAL PRESSURE SENSOR EXTENSION CABLE
G-PK	PLUMBING KIT (INCLUDES: 20FT 1/4" POLY TUBE, UNION, 1/4" NPT MALE AND FEMALE ADAPTERS)
G60-MK	60 PSI SS AMONIA GAUGE KIT - 1/4" MALE NPT INLET (INCLUDES: GAUGE, BRACKET, AND MOUNTING SCREWS)
DPS-100	REPLACEMENT DIGITAL PRESSURE SENSOR ASSEMBLY

PUMP FITTINGS

(ADDITIONAL CONFIGURATIONS AVAILABLE)

Part Number	Fitting Size	Fitting Type	Material
FQ5S-38	3/4" QUICK ATTACH - 3/8" HOSE BARB	STRAIGHT FITTING W/ O-RING	POLY
FQ5S-12	3/4" QUICK ATTACH - 1/2" HOSE BARB	STRAIGHT FITTING W/ O-RING	POLY
FQ5S-34	3/4" QUICK ATTACH - 3/4" HOSE BARB	STRAIGHT FITTING W/ O-RING	POLY
FQ5E-38	3/4" QUICK ATTACH - 3/8" HOSE BARB	ELBOW FITTING W/ O-RING	POLY
FQ5S-12	3/4" QUICK ATTACH - 1/2" HOSE BARB	ELBOW FITTING W/ O-RING	POLY
FQ5E-34	3/4" QUICK ATTACH - 3/4" HOSE BARB	ELBOW FITTING W/ O-RING	POLY
QTS-556	3/4" QUICK ATTACH - 1/2" MNPT	STRAIGHT FITTING W/ O-RING	POLY



FQ5S SERIES



FQ5E SERIES



QTS-556

PUMP FILTERS

(ADDITIONAL CONFIGURATIONS AVAILABLE)

Part Number	Inlet Port	Outlet Port	Mesh Size
R-309T153	1/2" HOSE BARB	3/8" MBSP	50 MESH
R-309T253	1/2" HOSE BARB	1/2" MBSP	50 MESH
R-309TB53	1/2" HOSE BARB	3/4" MALE QUICK ATTACH	50 MESH
10546	1/2" MNPT	1/2" FNPT INLINE FLITER/STRAINER	50 MESH
SS10834	50 MESH	3/8" TUBE	50 MESH
SS10522T	50 MESH	1/2" FNPT	50 MESH
LS5512B	1/2" HOSE BARB	1/2" HOSE BARB	50 MESH
LS3338T	3/8" FNPT	3/8" FNPT	50 MESH
LS3338MT	3/8" MNPT	3/8" MNPT	50 MESH
LS3338B	3/8" HOSE BARB	3/8" HOSE BARB	50 MESH
25-181	3/4" MALE QUICK ATTACH	3/4" MALE QUICK ATTACH	50 MESH
MF-34MF34M	3/4" MALE QUICK ATTACH	3/4" MALE QUICK ATTACH	50 MESH



R-309T153



R-309T253



R-309TB53



10546



SS10834



SS10422T



LS5512B



LS3338T



LS3338MT



LS3338B



25-181



MF-34F34M

WIRE HARNESSES

(ADDITIONAL CONFIGURATIONS AVAILABLE)

Part Number	Inlet Port	Length
901-001	16 AWG WIRING HARNESS WITH ON/OFF SWITCH CAR ADAPTER	116"
901-002	16 AWG WIRING HARNESS CAR ADAPTER	11"
901-003	16 AWG WIRING HARNESS, 30 AMP BATTERY CLIPS	15"
901-004	16 AWG WIRING HARNESS WITH ON/OFF SWITCH, TWO 30 AMP BATTERY CLIPS	98"
901-005	16 AWG WIRING HARNESS WITH ON/OFF SWITCH	92"
901-006	16 AWG WIRING HARNESS WITH ON/OFF SWITCH, LEAD WIRE 2-PIN CONNECTOR COMBO	30"
901-008	16 AWG WIRING HARNESS, LEAD WIRE, 2-PIN CONNECTOR	72"
901-009	16 AWG WIRING HARNESS KIT (INCLUDES 901-001, 901-003, AND 901-005)	-
901-010	16 AWG WIRING HARNESS WITH 2-PIN CONNECTOR ON BOTH ENDS	90"
901-011	16 AWG WIRING HARNESS WITH 2-PIN CONNECTOR ON BOTH ENDS	180"
901-012	16 AWG WIRING HARNESS WITH ON/OFF SWITCH	210"
901-013	12 AWG WIRING HARNESS WITH ON/OFF SWITCH, HEAVY DUTY BATTERY CLIPS	98"



901-001



901-002



901-003



901-004



901-005



901-006



901-008



901-009



901-010



901-011



901-012



901-013

HEAVY DUTY WIRE HARNESS

A durable heavy duty wire harness built for demanding jobs. Compatible with the Remco Fatboy Series and other high powered diaphragm pumps.

PRODUCT FEATURES

- > 40 AMP BATTERY CLIPS
- > 50 AMP ON / OFF SWITCH
- > 12 AWG HEAVY DUTY WIRE
- > 98:" WIRE LENGTH
- > HEAT SHRINK BUTT CONNECTORS
- > WATER TIGHT CONNECTION

ADDITIONAL FEATURES

- > PERFECTLY SIZED FOR POWERING LARGE PUMPS
- > PROVIDING POWER UNDER MAXIMUM LOAD
- > EXTENDED USE FOR HEAVY DUTY JOBS
- > REDUCES AMP DRAW



CONFIGURATIONS

(ADDITIONAL CONFIGURATIONS AVAILABLE)

STANDARD		
Item Number	Description	UPC Number
901-013-R	12 AWG WIRING HARNESS WITH HEAVY DUTY SWITCH, 40 AMP BATTERY CLIPS. HEAT SHRINK BUTT CONNECTORS, 98" LONG	810042231894

PRESSURE SWITCHES

(ADDITIONAL CONFIGURATIONS AVAILABLE)

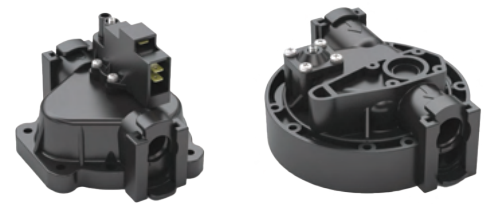
Part Number	Description
3300-PSW	3300 SERIES PUMPS, 45 - 75 PSI
PSW-580R-60	5500 SERIES PUMPS, 45 - 75 PSI
PSW-FB-60-R	FATBOY SERIES PUMPS, 45 - 75 PSI
PSW-FB-80-R	FATBOY SERIES PUMPS, 80 - 100 PSI
PSW-5100R-80	5500 SERIES PUMPS, 80 - 150 PSI
3300-PSW-100	3300 SERIES PUMPS, 80 - 150 PSI



UPPER HOUSING ASSEMBLY

(ADDITIONAL CONFIGURATIONS AVAILABLE)

Part Number	Description
UHA7880-7F77	3300 SERIES, DEMAND, 45 - 75 PSI, 3/8" THREADED
UHA7880-8F77	3300 SERIES, BYPASS, 45 - 75 PSI, 3/8" THREADED
UHA7803-7F77	3300 SERIES, DEMAND, 45 - 75 PSI, 3/4" QUICK ATTACH
UHA7803-8F77	3300 SERIES, BYPASS, 45 - 75 PSI, 3/4" QUICK ATTACH
UHA3203-1X77	3200 SERIES, DEMAND, 45 - 75 PSI, 3/4" QUICK ATTACH
UHA3203-2X77	3200 SERIES, BYPASS, 45 - 75 PSI, 3/4" QUICK ATTACH
UHA5513-1X77	5500 SERIES, DEMAND, 45 - 75 PSI, 1/2" THREADED
UHA5513-2X77	5500 SERIES, BYPASS, 45 - 75 PSI, 1/2" THREADED
UHA5503-1X77	5500 SERIES, DEMAND, 45 - 75 PSI, 3/4" QUICK ATTACH
UHA5503-2X77	5500 SERIES, BYPASS, 45 - 75 PSI, 3/4" QUICK ATTACH



VALVE HOUSING ASSEMBLY

(ADDITIONAL CONFIGURATIONS AVAILABLE)

Part Number	Description
VHA7863-7F77	3300 SERIES, VITON
VHA3203-1X77	3200 SERIES, VITON
VHA5513-1E77	5500 SERIES, VITON



LOWER HOUSING ASSEMBLY

(ADDITIONAL CONFIGURATIONS AVAILABLE)

Part Number	Description
LHA7860-7F77	3300 SERIES, 1.2 GPM, DEMAND / BYPASS
LHA7863-7F77	3300 SERIES, 2.2 GPM, DEMAND / BYPASS
LHA3202-1X77	3200 SERIES, 3.5 GPM, DEMAND / BYPASS
LHA3203-1X77	3200 SERIES, 4.0 - 4.5 GPM, DEMAND / BYPASS
LHA5510-1E77	5500 SERIES, 3.2 GPM, DEMAND / BYPASS
LHA5512-1E77	5500 SERIES, 4.0 GPM, DEMAND / BYPASS
LHA5513-1E77	5500 SERIES, 5.3 GPM, DEMAND / BYPASS



COMPLETE THREADED PUMP HEAD ASSEMBLY

(ADDITIONAL CONFIGURATIONS AVAILABLE)

Part Number	Description
7880-7F77	3300 SERIES, 1.2 GPM WITH PRESSURE SWITCH - 3/8", 45 - 75 PSI
7880-8F77	3300 SERIES, 1.2 GPM WITH BYPASS - 3/8", 45 - 75 PSI
7883-7F77	3300 SERIES, 2.2 GPM WITH PRESSURE SWITCH - 3/8", 45 - 75 PSI
7883-8F77	3300 SERIES, 2.2 GPM WITH BYPASS - 3/8", 45 - 75 PSI
5510-1X77	5500 SERIES, 3.2 GPM WITH PRESSURE SWITCH - 1/2", 45 - 75 PSI
5510-2X77	5500 SERIES, 3.2 GPM WITH BYPASS - 1/2", 45 - 75 PSI
5512-1X77	5500 SERIES, 4.0 GPM WITH PRESSURE SWITCH - 1/2", 45 - 75 PSI
5512-2X77	5500 SERIES, 4.0 GPM WITH BYPASS - 1/2", 45 - 75 PSI
5513-1X77	5500 SERIES, 5.3 GPM WITH PRESSURE SWITCH - 1/2", 45 - 75 PSI
5513-2X77	5500 SERIES, 5.3 GPM WITH BYPASS - 1/2", 45 - 75 PSI
PH-5538E-D	FATBOY SERIES, 7.0 GPM WITH PRESSURE SWITCH - 1/2", 45 - 75 PSI
PH-5538E-B	FATBOY SERIES, 7.0 GPM WITH BYPASS - 1/2", 45 - 75 PSI
PH-5538I-D	FATBOY SERIES, 7.0 GPM WITH PRESSURE SWITCH - 1/2", 100 PSI
PH-5538I-B	FATBOY SERIES, 7.0 GPM WITH BYPASS - 1/2", 100 PSI
PHA-SMOOTHFLO	SMOOTHFLO SERIES, 2.2 GPM, - 3/8"



COMPLETE QUICK ATTACH PUMP HEAD ASSEMBLY

(ADDITIONAL CONFIGURATIONS AVAILABLE)

Part Number	Description
7803-7F77	3300 SERIES, 2.2 GPM WITH PRESSURE SWITCH - 3/4", 45 - 75 PSI
7803-8F77	3300 SERIES, 2.2 GPM WITH BYPASS - 3/4", 45 - 75 PSI
3202-1F77	3200 SERIES, 3.5 GPM WITH PRESSURE SWITCH - 3/4", 45 - 75 PSI
3202-2F77	3200 SERIES, 3.5 GPM WITH BYPASS - 3/4", 45 - 75 PSI
3203-1F77	3200 SERIES, 4.0 - 4.5 GPM WITH PRESSURE SWITCH - 3/4", 45 - 75 PSI
3203-2F77	3200 SERIES, 4.0 - 4.5 GPM WITH BYPASS - 3/4", 45 - 75 PSI
5500-1X77	5500 SERIES, 3.2 GPM WITH PRESSURE SWITCH - 3/4", 45 - 75 PSI
5500-2X77	5500 SERIES, 3.2 GPM WITH BYPASS - 3/4", 45 - 75 PSI
5502-1X77	5500 SERIES, 4.0 GPM WITH PRESSURE SWITCH - 3/4", 45 - 75 PSI
5502-2X77	5500 SERIES, 4.0 GPM WITH BYPASS - 3/4", 45 - 75 PSI
5503-1X77	5500 SERIES, 5.3 GPM WITH PRESSURE SWITCH - 3/4", 45 - 75 PSI
5503-2X77	5500 SERIES, 5.3 GPM WITH BYPASS - 3/4", 45 - 75 PSI
PH-5518E-D	FATBOY SERIES, 7.0 GPM WITH PRESSURE SWITCH - 3/4", 45 - 75 PSI
PH-5518E-B	FATBOY SERIES, 7.0 GPM WITH BYPASS - 3/4", 45 - 75 PSI
PH-5518I-D	FATBOY SERIES, 7.0 GPM WITH PRESSURE SWITCH - 3/4", 80 - 100 PSI
PH-5518I-B	FATBOY SERIES, 7.0 GPM WITH BYPASS - 3/4", 80 - 100 PSI
5917-9I77	SMOOTHFLO SERIES, 5.3 GPM, 100 PSI
5918-9I77	SMOOTHFLO SERIES, 7.0 GPM, 100 PSI



MOTORS

(ADDITIONAL CONFIGURATIONS AVAILABLE)

Part Number	Description
M382-S	3300 SERIES, NO SWITCH, 2-PIN CONNECTOR, DEMAND
M382B-S	3300 SERIES, NO SWITCH, 2-PIN CONNECTOR, BYPASS
M582-S	3300 SERIES, NO SWITCH, 2-PIN CONNECTOR, DEMAND
M582B-S	3300 SERIES, NO SWITCH, 2-PIN CONNECTOR, BYPASS
M70-563-JDS-D	3200 SERIES, NO SWITCH, 2-PIN CONNECTOR, HIGH PERFORMANCE, DEMAND
M70-563-JDS	3200 SERIES, NO SWITCH, 2-PIN CONNECTOR, HIGH PERFORMANCE, BYPASS
70-594-00	5500 SERIES, NO SWITCH, 2-PIN CONNECTOR, BYPASS



STANDARD WARRANTY

REMCO™ warrants its products to be free from defects in material and workmanship on all products sold by REMCO™ for resale or for use in purchasers' own business or original equipment manufacturer. Under normal use, maintenance and service (rental use excluded) the following terms apply:

For all REMCO™ products, the warranty will last for a period of one (1) year from date of manufacture, or one (1) year use with proof of purchase, with the exception of the Aquajet® pumps, which is two (2) years. REMCO's™ obligation under this warranty shall be limited to replacing or repairing, at REMCO's™ discretion, any such product or part which must be returned to the REMCO™ factory with a Return Material Authorization number (RMA), transportation charges approved by REMCO™ or prepaid, and which, upon examination, is found to REMCO's™ satisfaction to have been defective under the terms of this warranty. No credit will be allowed against future purchases for items returned as defective under the terms of REMCO's™ warranty. REMCO™ warrants all pump series to be free from material and workmanship defects (under normal use and service) for a period of one (1) year from the date of manufacture, or one (1) year use with proof of purchase, with the exception of the Aquajet® pumps, which is two (2) years. This warranty does not extend to any products which have been altered or modified outside the REMCO™ factory; to any products that have not been properly maintained; nor to units that are returned in an unassembled condition. Furthermore, the warranty does not extend to pumps that are non-compliant with REMCO™ Engineering Standards. This includes, but is not limited to, pumps ordered without an integral pressure control mechanism. The warranty guarantees that products will perform to REMCO™ flow and pressure specifications throughout the life of the warranty. The warranty does not cover wear, appearance, misuse, abuse, misapplication or external water damage. If the returned product is found not to be defective under the conditions of this warranty, a charge will be made for repair or replacement.

Brush wear may be limited to 1000 hours or less.

This is a Limited Warranty. It covers the product only and the extent of the coverage is limited to the cost of the product. As the manufacturer has no control over shipping, handling and installation, the warranty cannot cover water damage, or any other damage, caused by a leak or other malfunction.

THIS WARRANTY IS IN LIEU OF ALL WARRANTIES, EXPRESSED OR IMPLIED, INCLUDING IMPLIED WARRANTIES OR WARRANTIES OF MERCHANTABILITY AND/OR FITNESS FOR A PARTICULAR PURPOSE. NO PERSON IS AUTHORIZED TO GIVE ANY OTHER WARRANTY OR ASSUME OBLIGATION OR LIABILITY ON REMCO'S™ BEHALF. REMCO™ SHALL NOT BE LIABLE FOR ANY INDIRECT, INCIDENTAL, PUNITIVE OR CONSEQUENTIAL DAMAGES OF ANY KIND INCURRED BY THE REASON OF THE USE OR SALE OF ANY DEFECTIVE PRODUCT AND PART. THIS WARRANTY SHALL BE GOVERNED BY THE LAWS OF THE STATE OF MINNESOTA, WITH ANY DISPUTE OR CLAIM VENUED OR HEARD IN THE STATE OF MINNESOTA.

CONTACT US

ADDRESS: 10425 WILDLIFE LOOP SE, OSAKIS, MN 56360

PHONE: 763-253-4740 or 1-800-228-2481

FAX: 763-253-4741

EMAIL: SALES@REMCOINDUSTRIES.COM

